

Plug union, elbow STV-W G3/8-AG 10

<https://www.schmalz.com/10.08.02.00255>



Part no.: 10.08.02.00255

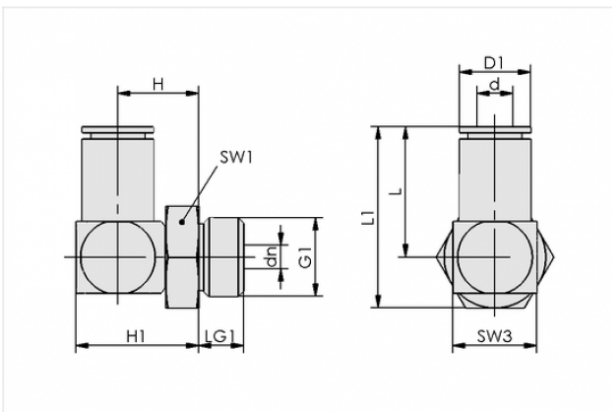
Homepage > Vacuum Technology for Automation > Vacuum Components > Filters and Connections > Hoses and Connectors > Screw in Push Fittings > STV-W G3/8-AG 10

Screw plug connection, swivelling elbow



Thread G1: G3/8-M
External hose diameter: 10 mm
Material: Brass, nickel-plated
Ambient temperature: -20 ... 80 °C

Design Data



Attribute	Value
-----------	-------

d	10 mm
---	-------

dn	8 mm
----	------

D1	16.5 mm
----	---------

G1	G3/8"-M
----	---------

H	17 mm
---	-------

H1	26 mm
----	-------

L	35.1 mm
---	---------

L1	46 mm
----	-------

LG1	7.5 mm
-----	--------

SW1	20 mm
-----	-------

SW3	18 mm
-----	-------

Contact to Schmalz

J. Schmalz GmbH | Johannes-Schmalz-Straße, 72293 Glatten, Deutschland | +49 7443 2403-102 | customercenter@schmalz.de

Technical Data

Attribute	Value
Hose type	10-7
Material	Brass, nickel-plated
Pressure range (operating pressure)	-0.95 ... 15.00 bar
Ambient temperature	-20 ... 80 °C
for	Hose D = 10 d = 7
Weight	59 g

Accessories



VSL 10-7 PE

Part no. 10.07.09.00083
 Hose for vacuum and compressed-air systems
 External diameter D: 10 mm
 Internal diameter d: 7 mm
 Length (max): 50 m
 Material: PE
 Installation radius (min): 60 mm
 Colour: Transparent
 Pressure range (operating pressure):
 -0.95 ... 10.00 bar
 Ambient temperature: -30 ... 70 °C



VSL 10-7 PU

Part no. 10.07.09.00084
 Hose for vacuum and compressed-air systems
 External diameter D: 10 mm
 Internal diameter d: 7 mm
 Length (max): 50 m
 Material: PU
 Installation radius (min): 60 mm
 Colour: Transparent
 Pressure range (operating pressure):
 -0.95 ... 10.00 bar
 Ambient temperature: -40 ... 85 °C

Contact to Schmalz

