

# Plug union, straight STV-GE G1/2-AG 10

<https://www.schmalz.com/10.08.02.00253>



Part no.: 10.08.02.00253

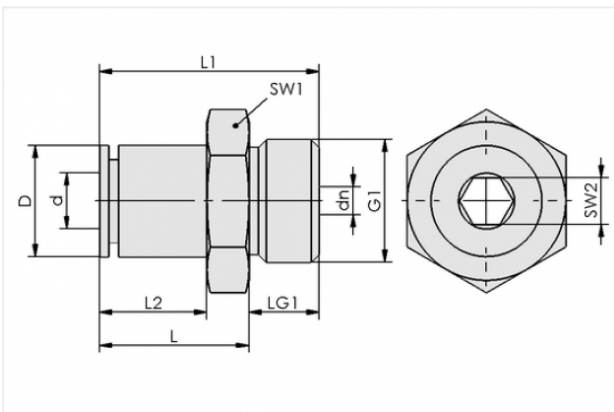
Homepage > Vacuum Technology for Automation > Vacuum Components > Filters and Connections > Hoses and Connectors > Screw in Push Fittings > STV-GE G1/2-AG 10

## Screw plug connection, straight



Thread G1: G1/2-M  
External hose diameter: 10 mm  
Material: Brass  
Surface: nickel plated  
Ambient temperature: -20 ... 80 °C

## Design Data



| Attribute | Value   |
|-----------|---------|
| d         | 10 mm   |
| dn        | 8 mm    |
| D         | 16.5 mm |
| G1        | G1/2"-M |
| L         | 18.5 mm |
| L1        | 28 mm   |
| L2        | 12.5 mm |
| LG1       | 9.5 mm  |
| SW1       | 24 mm   |

## Contact to Schmalz

J. Schmalz GmbH | Johannes-Schmalz-Straße, 72293 Glatten, Deutschland | +49 7443 2403-102 | [customercenter@schmalz.de](mailto:customercenter@schmalz.de)

## Technical Data

| Attribute                           | Value               |
|-------------------------------------|---------------------|
| Hose type                           | 10-7                |
| Material                            | Brass               |
| Surface                             | nickel plated       |
| Pressure range (operating pressure) | -0.95 ... 15.00 bar |
| Ambient temperature                 | -20 ... 80 °C       |
| for                                 | Hose D = 10 d = 7   |
| Weight                              | 43 g                |

## Accessories



### VSL 10-7 PE

Part no. 10.07.09.00083

Hose for vacuum and compressed-air systems

External diameter D: 10 mm

Internal diameter d: 7 mm

Length (max): 50 m

Material: PE

Installation radius (min): 60 mm

Colour: Transparent

Pressure range (operating pressure):

-0.95 ... 10.00 bar

Ambient temperature: -30 ... 70 °C

**VSL 10-7 PU**

Part no. 10.07.09.00084

Hose for vacuum and compressed-air systems

External diameter D: 10 mm

Internal diameter d: 7 mm

Length (max): 50 m

Material: PU

Installation radius (min): 60 mm

Colour: Transparent

Pressure range (operating pressure):

-0.95 ... 10.00 bar

Ambient temperature: -40 ... 85 °C