

Vacuum hose

VSL 10-7 PU

Part no.: 10.07.09.00084

<https://www.schmalz.com/10.07.09.00084>



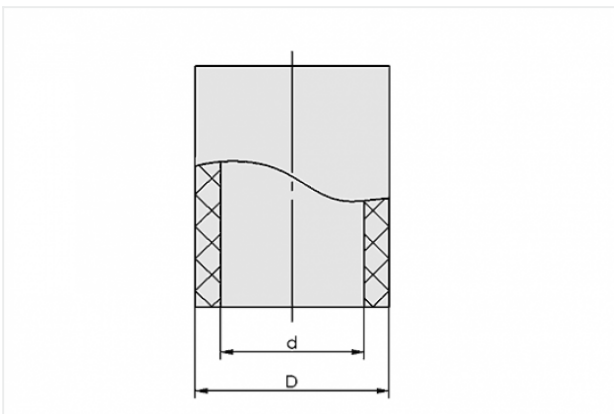
Homepage > Vacuum Technology for Automation > Vacuum Components > Filters and Connections > Hoses and Connectors > Vacuum /
Compressed-Air Hoses VSL > VSL 10-7 PU

Hose for vacuum and compressed-air systems



External diameter D: 10 mm
Internal diameter d: 7 mm
Length (max): 50 m
Material: PU
Installation radius (min): 60 mm
Colour: Transparent
Pressure range (operating pressure):
-0.95 ... 10.00 bar
Ambient temperature: -40 ... 85 °C

Design Data



Attribute	Value
d	7 mm
D	10 mm

Technical Data

Attribute	Value
Material	PU
Pressure range (operating pressure)	-0.95 ... 10.00 bar

Contact to Schmalz

J. Schmalz GmbH | Johannes-Schmalz-Straße, 72293 Glatten, Deutschland | +49 7443 2403-102 |
customercenter@schmalz.de

Attribute	Value
Ambient temperature	-40 ... 85 °C
Installation radius (min)	60 mm
Length (max)	50 m
Weight/Meter	48 g/m
Weight/Meter	0.048 kg/m

Note:

- Operating pressure: In reference to media and ambient temperature of + 20°C
- Bending radius: Referred to the inner side of the hose bend in a static state
- Max. length: Please indicate the tube length when placing the order!

Accessories



SSB 10-16 ST-VZ

Part no. 10.07.10.00001

Hose clamp for securing smooth hoses

Clamping range: 10.0 ... 16.0 mm

Material: Steel galvanised



STV-GE G1/4-AG 10

Part no. 10.08.02.00251

Screw plug connection, straight

Thread G1: G1/4-M

External hose diameter: 10 mm

Material: Brass

Surface: nickel plated

Ambient temperature: -20 ... 80 °C



STV-GE G3/8-AG 10

Part no. 10.08.02.00252

Screw plug connection, straight

Thread G1: G3/8-M

External hose diameter: 10 mm

Material: Brass

Surface: nickel plated

Ambient temperature: -20 ... 80 °C



STV-GE G1/2-AG 10

Part no. 10.08.02.00253

Screw plug connection, straight

Thread G1: G1/2-M

External hose diameter: 10 mm

Material: Brass

Surface: nickel plated

Ambient temperature: -20 ... 80 °C



STVI-GE G1/4-IG 10

Part no. 10.08.02.00260

Screw plug connection, straight

Thread 1: G1/4-F

External hose diameter: 10 mm

Material: Brass

Surface: nickel plated



STV-W G1/4-AG 10

Part no. 10.08.02.00254

Screw plug connection, swivelling elbow

Thread G1: G1/4-M

External hose diameter: 10 mm

Material: Brass, nickel-plated

Ambient temperature: -20 ... 80 °C



STV-W G3/8-AG 10

Part no. 10.08.02.00255

Screw plug connection, swivelling elbow

Thread G1: G3/8-M

External hose diameter: 10 mm

Material: Brass, nickel-plated

Ambient temperature: -20 ... 80 °C



STV-W G1/2-AG 10

Part no. 10.08.02.00256

Screw plug connection, swivelling elbow

Thread G1: G1/2-M

External hose diameter: 10 mm

Material: Brass, nickel-plated

Ambient temperature: -20 ... 80 °C



STV-WF G1/8-AG 10

Part no. 10.08.02.00257

Screw plug connection, swivelling and lockable

Thread G1: G1/8-M

External hose diameter: 10 mm

Material: Brass, nickel-plated



STV-WF G1/4-AG 10

Part no. 10.08.02.00258

Screw plug connection, swivelling and lockable

Thread G1: G1/4-M

External hose diameter: 10 mm

Material: Brass, nickel-plated



SVB-T 10

Part no. 10.09.02.00025

Plug connection, T

External hose diameter: 10 mm

Length: 55.5 mm

Material: Brass

Surface: nickel plated



STV-WF G3/8-AG 10

Part no. 10.08.02.00259

Screw plug connection, swivelling and lockable

Thread G1: G3/8-M

External hose diameter: 10 mm

Material: Brass, nickel-plated



STV-T G1/4-AG 10

Part no. 10.09.02.00044

Screw plug connection, T

Thread G1: G1/4-M

External hose diameter: 10 mm

Length L: 54.9 mm

Material: Brass

Surface: nickel plated