

Plug union, straight STV-GE G1/4-AG 10

<https://www.schmalz.com/10.08.02.00251>



Part no.: 10.08.02.00251

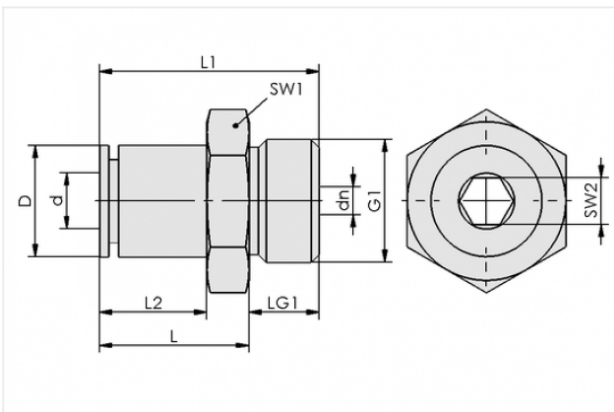
Homepage > Vacuum Technology for Automation > Vacuum Components > Filters and Connections > Hoses and Connectors > Screw in Push Fittings > STV-GE G1/4-AG 10

Screw plug connection, straight



Thread G1: G1/4-M
External hose diameter: 10 mm
Material: Brass
Surface: nickel plated
Ambient temperature: -20 ... 80 °C

Design Data



Attribute Value

d 10 mm

dn 8 mm

D 16.5 mm

G1 G1/4"-M

L 23.4 mm

L1 30.8 mm

L2 18.4 mm

LG1 7.4 mm

SW1 17 mm

Contact to Schmalz

J. Schmalz GmbH | Johannes-Schmalz-Straße, 72293 Glatten, Deutschland | +49 7443 2403-102 | customercenter@schmalz.de

Technical Data

Attribute	Value
Hose type	10-7
Material	Brass
Surface	nickel plated
Pressure range (operating pressure)	-0.95 ... 15.00 bar
Ambient temperature	-20 ... 80 °C
for	Hose D = 10 d = 7
Weight	26 g

Accessories



VSL 10-7 PE

Part no. 10.07.09.00083

Hose for vacuum and compressed-air systems

External diameter D: 10 mm

Internal diameter d: 7 mm

Length (max): 50 m

Material: PE

Installation radius (min): 60 mm

Colour: Transparent

Pressure range (operating pressure):

-0.95 ... 10.00 bar

Ambient temperature: -30 ... 70 °C

**VSL 10-7 PU**

Part no. 10.07.09.00084

Hose for vacuum and compressed-air systems

External diameter D: 10 mm

Internal diameter d: 7 mm

Length (max): 50 m

Material: PU

Installation radius (min): 60 mm

Colour: Transparent

Pressure range (operating pressure):

-0.95 ... 10.00 bar

Ambient temperature: -40 ... 85 °C