

Hose clamp

SSB 10-16 ST-VZ

Part no.: 10.07.10.00001

<https://www.schmalz.com/10.07.10.00001>



Homepage > Vacuum Technology for Automation > Vacuum Components > Filters and Connections > Hoses and Connectors > Hose Clamps SSB / SSD > SSB 10-16 ST-VZ

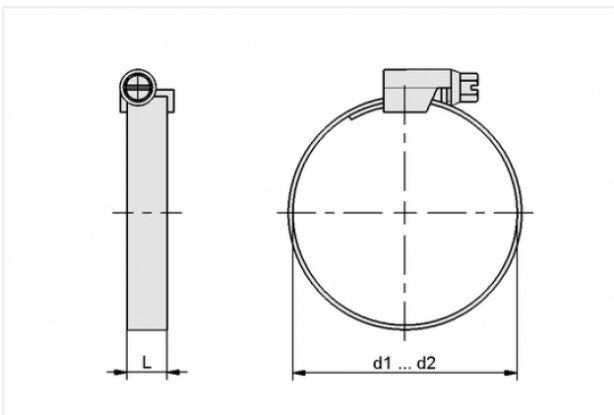
Hose clamp for securing smooth hoses



Clamping range: 10.0 ... 16.0 mm

Material: Steel galvanised

Design Data



Attribute	Value
-----------	-------

d1	10 mm
----	-------

d2	16 mm
----	-------

L	9 mm
---	------

Technical Data

Attribute	Value
-----------	-------

Material	Steel galvanised
----------	------------------

Weight	12 g
--------	------

Contact to Schmalz

J. Schmalz GmbH | Johannes-Schmalz-Straße, 72293 Glatten, Deutschland | +49 7443 2403-102 | customercenter@schmalz.de

Accessories



VSL 10-7 PE

Part no. 10.07.09.00083

Hose for vacuum and compressed-air systems

External diameter D: 10 mm

Internal diameter d: 7 mm

Length (max): 50 m

Material: PE

Installation radius (min): 60 mm

Colour: Transparent

Pressure range (operating pressure):

-0.95 ... 10.00 bar

Ambient temperature: -30 ... 70 °C



VSL 10-7 PU

Part no. 10.07.09.00084

Hose for vacuum and compressed-air systems

External diameter D: 10 mm

Internal diameter d: 7 mm

Length (max): 50 m

Material: PU

Installation radius (min): 60 mm

Colour: Transparent

Pressure range (operating pressure):

-0.95 ... 10.00 bar

Ambient temperature: -40 ... 85 °C



VSL 12-9 PE

Part no. 10.07.09.00050

Hose for vacuum and compressed-air systems

External diameter D: 12 mm

Internal diameter d: 9 mm

Length (max): 100 m

Material: PE

Installation radius (min): 70 mm

Pressure range (operating pressure):

-0.95 ... 10.00 bar

Ambient temperature: -20 ... 70 °C

**VSL 12-9 PU**

Part no. 10.07.09.00037

Hose for vacuum and compressed-air systems

External diameter D: 12 mm

Internal diameter d: 9 mm

Length (max): 50 m

Material: PU

Installation radius (min): 70 mm

Pressure range (operating pressure):

-0.95 ... 10.00 bar

Ambient temperature: -20 ... 90 °C

**VSL 14-11 PU**

Part no. 10.07.09.00038

Hose for vacuum and compressed-air systems

External diameter D: 14 mm

Internal diameter d: 11 mm

Length (max): 100 m

Material: PU

Installation radius (min): 100 mm

Pressure range (operating pressure):

-0.95 ... 10.00 bar

Ambient temperature: -20 ... 90 °C

**VSL 15-9 PVC-G**

Part no. 10.07.09.00005

Hose for vacuum and compressed-air systems

External diameter D: 15 mm

Internal diameter d: 9 mm

Length (max): 50 m

Material: PVC, with textile layer

Installation radius (min): 50 mm

Pressure range (operating pressure):

-0.95 ... 10.00 bar

Ambient temperature: -20 ... 70 °C