

Vacuum hose

VSL 12-9 PE

Part no.: 10.07.09.00050

<https://www.schmalz.com/10.07.09.00050>



Homepage > Vacuum Technology for Automation > Vacuum Components > Filters and Connections > Hoses and Connectors > Vacuum /

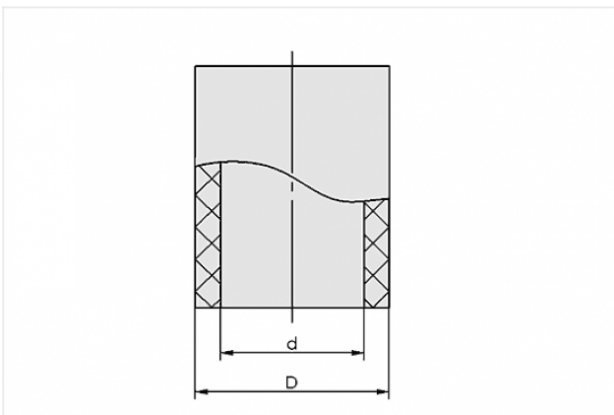
Compressed-Air Hoses VSL > VSL 12-9 PE

Hose for vacuum and compressed-air systems



External diameter D: 12 mm
Internal diameter d: 9 mm
Length (max): 100 m
Material: PE
Installation radius (min): 70 mm
Pressure range (operating pressure):
-0.95 ... 10.00 bar
Ambient temperature: -20 ... 70 °C

Design Data



Attribute	Value
-----------	-------

d	9 mm
D	12 mm

Technical Data

Attribute	Value
-----------	-------

Material	PE
Pressure range (operating pressure)	-0.95 ... 10.00 bar

Contact to Schmalz

J. Schmalz GmbH | Johannes-Schmalz-Straße, 72293 Glatten, Deutschland | +49 7443 2403-102 | customercenter@schmalz.de

Attribute	Value
Ambient temperature	-20 ... 70 °C
Installation radius (min)	70 mm
Length (max)	100 m
Weight/Meter	457 g/m
Weight/Meter	0.457 kg/m

Note:

- Operating pressure: In reference to media and ambient temperature of + 20°C
- Bending radius: Referred to the inner side of the hose bend in a static state
- Max. length: Please indicate the tube length when placing the order!

Accessories



SSB 10-16 ST-VZ

Part no. 10.07.10.00001

Hose clamp for securing smooth hoses

Clamping range: 10.0 ... 16.0 mm

Material: Steel galvanised



ST G1/8-AG 9 MS-V

Part no. 10.08.03.00155

Hose sleeve

Thread 1: G1/8-M

Internal hose diameter: 9 mm

Material: Brass

Surface: nickel plated



ST G1/4-AG 9 MS-V

Part no. 10.08.03.00157

Hose sleeve

Thread 1: G1/4-M

Internal hose diameter: 9 mm

Material: Brass

Surface: nickel plated



ST G3/8-AG 9 MS-V

Part no. 10.08.03.00159

Hose sleeve

Thread 1: G3/8-M

Internal hose diameter: 9 mm

Material: Brass

Surface: nickel plated



ST G1/2-AG 9 MS-V

Part no. 10.08.03.00161

Hose sleeve

Thread 1: G1/2-M

Internal hose diameter: 9 mm

Material: Brass

Surface: nickel plated



STV-GE G1/4-AG 12

Part no. 10.08.02.00208

Screw plug connection, straight

Thread G1: G1/4-M

External hose diameter: 12 mm

Material: Brass

Surface: nickel plated

Ambient temperature: -20 ... 80 °C



SVB-T 12

Part no. 10.09.02.00023

Plug connection, T

External hose diameter: 12 mm

Length: 69 mm

Material: Brass

Surface: nickel plated



STV-GE G3/8-AG 12

Part no. 10.08.02.00209

Screw plug connection, straight

Thread G1: G3/8-M

External hose diameter: 12 mm

Material: Brass

Surface: nickel plated

Ambient temperature: -20 ... 80 °C



STV-GE G1/2-AG 12

Part no. 10.08.02.00210

Screw plug connection, straight

Thread G1: G1/2-M

External hose diameter: 12 mm

Material: Brass

Surface: nickel plated

Ambient temperature: -20 ... 80 °C



STV-W G1/4-AG 12

Part no. 10.08.02.00162

Screw plug connection, swivelling elbow

Thread G1: G1/4-M

External hose diameter: 12 mm

Material: Brass, nickel-plated

Ambient temperature: -20 ... 80 °C



STV-W G3/8-AG 12

Part no. 10.08.02.00163

Screw plug connection, swivelling elbow

Thread G1: G3/8-M

External hose diameter: 12 mm

Material: Brass, nickel-plated

Ambient temperature: -20 ... 80 °C



STV-W G1/2-AG 12

Part no. 10.08.02.00164

Screw plug connection, swivelling elbow

Thread G1: G1/2-M

External hose diameter: 12 mm

Material: Brass, nickel-plated

Ambient temperature: -20 ... 80 °C



STV-T G1/4-AG 12

Part no. 10.09.02.00045

Screw plug connection, T

Thread 1: G1/4-M

External hose diameter: 12 mm

Length: 69 mm

Material: Brass

Surface: nickel plated