

Plug union, T STV-T G1/8-AG 8

Part no.: 10.09.02.00041

<https://www.schmalz.com/10.09.02.00041>



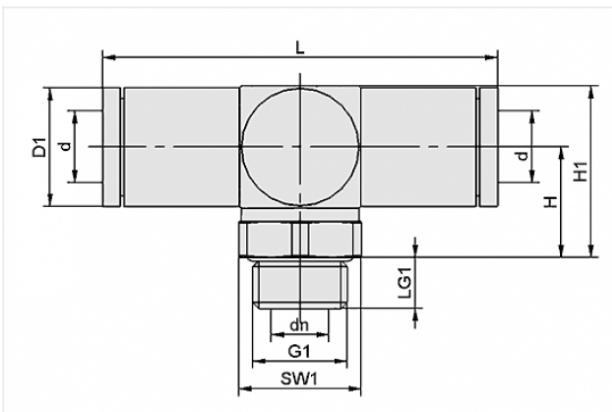
Homepage > Vacuum Technology for Automation > Vacuum Components > Filters and Connections > Hoses and Connectors > Screw in Push Fittings > STV-T G1/8-AG 8

Screw plug connection, T



Thread 1: G1/8-M
External hose diameter: 8 mm
Length: 48.7 mm
Material: Brass
Surface: nickel plated

Design Data



Attribute	Value
-----------	-------

d	8 mm
dn	5.5 mm
D1	14.1 mm
G1	G1/8"-M
H	15 mm
H1	22 mm
L	48.7 mm
LG1	5.5 mm
SW1	13 mm

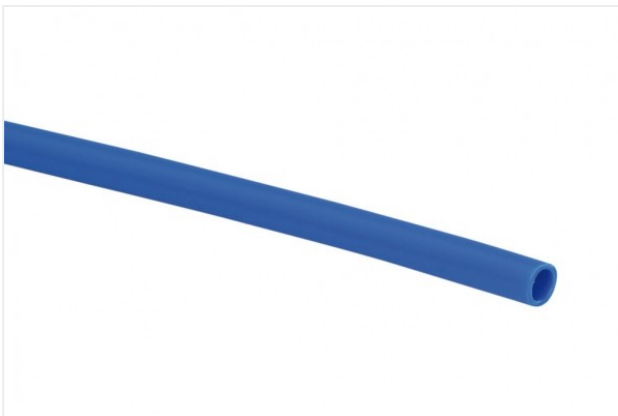
Contact to Schmalz

J. Schmalz GmbH | Johannes-Schmalz-Straße, 72293 Glatten, Deutschland | +49 7443 2403-102 | customercenter@schmalz.de

Technical Data

Attribute	Value
Hose type	8-6
Material	Brass
Surface	nickel plated
for	Hose D = 8 d = 6
Weight	51.6 g

Accessories



VSL 8-6 PE

Part no. 10.07.09.00015

Hose for vacuum and compressed-air systems

External diameter D: 8 mm

Internal diameter d: 6 mm

Length (max): 100 m

Material: PE

Installation radius (min): 45 mm

Pressure range (operating pressure):

-0.95 ... 10.00 bar

Ambient temperature: -30 ... 70 °C



VSL 8-6 PU

Part no. 10.07.09.00003

Hose for vacuum and compressed-air systems

External diameter D: 8 mm

Internal diameter d: 6 mm

Length (max): 500 m

Material: PU

Installation radius (min): 45 mm

Pressure range (operating pressure):

-0.95 ... 10.00 bar

Ambient temperature: -20 ... 90 °C