

Plug union, elbow STV-WF G3/8-AG 8

<https://www.schmalz.com/10.08.02.00234>



Part no.: 10.08.02.00234

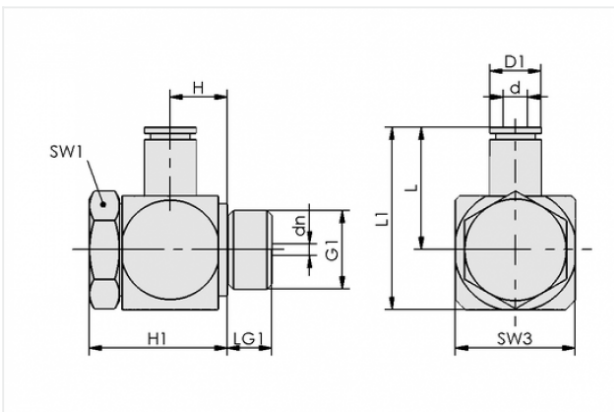
Homepage > Vacuum Technology for Automation > Vacuum Components > Filters and Connections > Hoses and Connectors > Screw in Push Fittings > STV-WF G3/8-AG 8

Screw plug connection, swivelling and lockable



Thread G1: G3/8-M
External hose diameter: 8 mm
Material: Brass, nickel-plated

Design Data



Attribute	Value
-----------	-------

d	8 mm
dn	9.4 mm
D1	14.3 mm
G1	G3/8"-M
H	10 mm
H1	24.9 mm
L	26.7 mm
L1	37.6 mm
LG1	6.7 mm
SW1	22 mm
SW3	22 mm

Contact to Schmalz

J. Schmalz GmbH | Johannes-Schmalz-Straße, 72293 Glatten, Deutschland | +49 7443 2403-102 | customercenter@schmalz.de

Technical Data

Attribute	Value
Hose type	8-6
Material	Brass, nickel-plated
Pressure range (operating pressure)	-0.95 ... 15.00 bar
Ambient temperature	-10 ... 70 °C
for	Hose D = 8 d = 6
Weight	76 g

Accessories



VSL 8-6 PE

Part no. 10.07.09.00015
 Hose for vacuum and compressed-air systems
 External diameter D: 8 mm
 Internal diameter d: 6 mm
 Length (max): 100 m
 Material: PE
 Installation radius (min): 45 mm
 Pressure range (operating pressure):
 -0.95 ... 10.00 bar
 Ambient temperature: -30 ... 70 °C



VSL 8-6 PU

Part no. 10.07.09.00003
 Hose for vacuum and compressed-air systems
 External diameter D: 8 mm
 Internal diameter d: 6 mm
 Length (max): 500 m
 Material: PU
 Installation radius (min): 45 mm
 Pressure range (operating pressure):
 -0.95 ... 10.00 bar
 Ambient temperature: -20 ... 90 °C

Contact to Schmalz