

# Plug union, elbow STV-WF G1/8-AG 8

<https://www.schmalz.com/10.08.02.00170>



Part no.: 10.08.02.00170

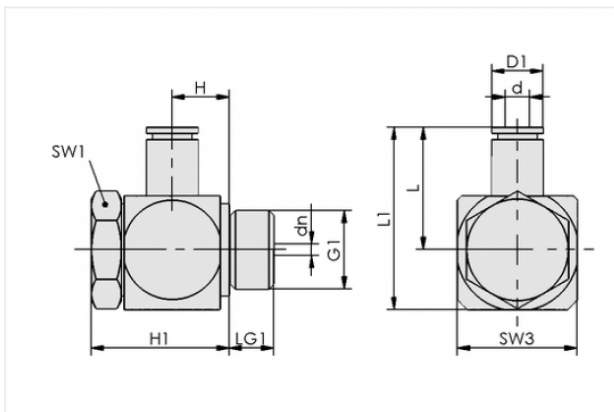
Homepage > Vacuum Technology for Automation > Vacuum Components > Filters and Connections > Hoses and Connectors > Screw in Push Fittings > STV-WF G1/8-AG 8

## Screw plug connection, swivelling and lockable



Thread G1: G1/8-M  
External hose diameter: 8 mm  
Material: Brass, nickel-plated

## Design Data



| Attribute | Value |
|-----------|-------|
|-----------|-------|

|     |         |
|-----|---------|
| d   | 8 mm    |
| dn  | 5.4 mm  |
| D1  | 14.3 mm |
| G1  | G1/8"-M |
| H   | 9.8 mm  |
| H1  | 23.6 mm |
| L   | 23.4 mm |
| L1  | 31.3 mm |
| LG1 | 5 mm    |
| SW1 | 14 mm   |
| SW3 | 16 mm   |

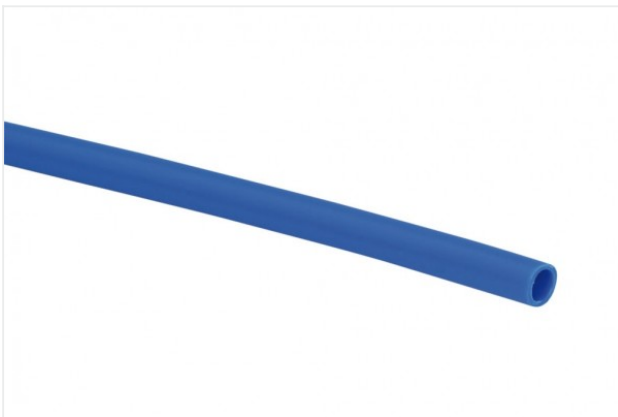
## Contact to Schmalz

J. Schmalz GmbH | Johannes-Schmalz-Straße, 72293 Glatten, Deutschland | +49 7443 2403-102 | [customercenter@schmalz.de](mailto:customercenter@schmalz.de)

## Technical Data

| Attribute                           | Value                |
|-------------------------------------|----------------------|
| Hose type                           | 8-6                  |
| Material                            | Brass, nickel-plated |
| Pressure range (operating pressure) | -0.95 ... 15.00 bar  |
| Ambient temperature                 | -10 ... 70 °C        |
| for                                 | Hose D = 8 d = 6     |
| Weight                              | 43 g                 |

## Accessories



### VSL 8-6 PE

Part no. 10.07.09.00015  
 Hose for vacuum and compressed-air systems  
 External diameter D: 8 mm  
 Internal diameter d: 6 mm  
 Length (max): 100 m  
 Material: PE  
 Installation radius (min): 45 mm  
 Pressure range (operating pressure):  
 -0.95 ... 10.00 bar  
 Ambient temperature: -30 ... 70 °C



### VSL 8-6 PU

Part no. 10.07.09.00003  
 Hose for vacuum and compressed-air systems  
 External diameter D: 8 mm  
 Internal diameter d: 6 mm  
 Length (max): 500 m  
 Material: PU  
 Installation radius (min): 45 mm  
 Pressure range (operating pressure):  
 -0.95 ... 10.00 bar  
 Ambient temperature: -20 ... 90 °C

## Contact to Schmalz