

# Plug union, elbow STV-W G1/8-AG 8

<https://www.schmalz.com/10.08.02.00160>



Part no.: 10.08.02.00160

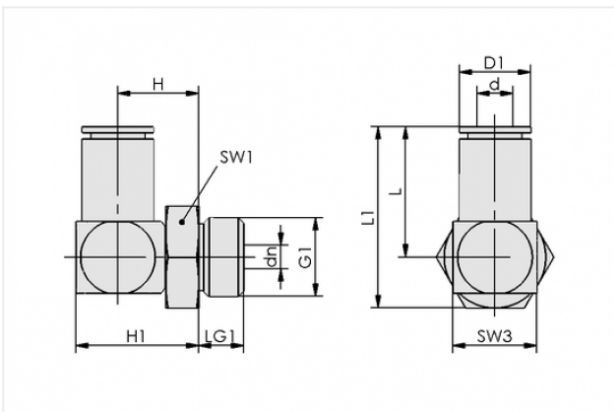
Homepage > Vacuum Technology for Automation > Vacuum Components > Filters and Connections > Hoses and Connectors > Screw in Push Fittings > STV-W G1/8-AG 8

## Screw plug connection, swivelling elbow



Thread G1: G1/8-M  
External hose diameter: 8 mm  
Material: Brass, nickel-plated  
Ambient temperature: -20 ... 80 °C

## Design Data



Attribute	Value
-----------	-------

d	8 mm
dn	5.5 mm
D1	14.6 mm
G1	G1/8"-M
H	13.7 mm
H1	21.8 mm
L	24 mm
L1	32 mm
LG1	5.7 mm
SW1	13 mm
SW3	16 mm

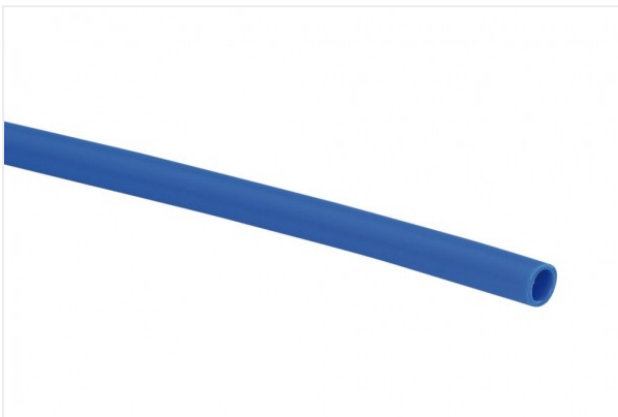
## Contact to Schmalz

J. Schmalz GmbH | Johannes-Schmalz-Straße, 72293 Glatten, Deutschland | +49 7443 2403-102 | [customercenter@schmalz.de](mailto:customercenter@schmalz.de)

## Technical Data

Attribute	Value
Hose type	8-6
Material	Brass, nickel-plated
Pressure range (operating pressure)	-0.95 ... 15.00 bar
Ambient temperature	-20 ... 80 °C
for	Hose D = 8 d = 6
Weight	43 g

## Accessories



### VSL 8-6 PE

Part no. 10.07.09.00015

Hose for vacuum and compressed-air systems

External diameter D: 8 mm

Internal diameter d: 6 mm

Length (max): 100 m

Material: PE

Installation radius (min): 45 mm

Pressure range (operating pressure):

-0.95 ... 10.00 bar

Ambient temperature: -30 ... 70 °C



### VSL 8-6 PU

Part no. 10.07.09.00003

Hose for vacuum and compressed-air systems

External diameter D: 8 mm

Internal diameter d: 6 mm

Length (max): 500 m

Material: PU

Installation radius (min): 45 mm

Pressure range (operating pressure):

-0.95 ... 10.00 bar

Ambient temperature: -20 ... 90 °C

## Contact to Schmalz