

# Plug union, straight STV-GE G1/4-AG 8

<https://www.schmalz.com/10.08.02.00207>



Part no.: 10.08.02.00207

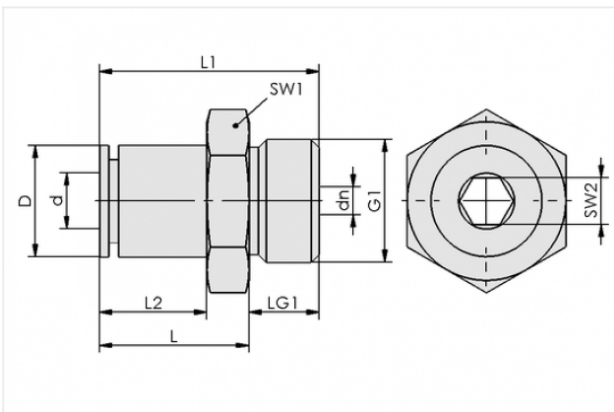
Homepage > Vacuum Technology for Automation > Vacuum Components > Filters and Connections > Hoses and Connectors > Screw in Push Fittings > STV-GE G1/4-AG 8

## Screw plug connection, straight



Thread G1: G1/4-M  
External hose diameter: 8 mm  
Material: Brass  
Surface: nickel plated  
Ambient temperature: -20 ... 80 °C

## Design Data



| Attribute | Value |
|-----------|-------|
|-----------|-------|

|     |         |
|-----|---------|
| d   | 8 mm    |
| dn  | 6 mm    |
| D   | 13.9 mm |
| G1  | G1/4"-M |
| L   | 17.8 mm |
| L1  | 25.2 mm |
| L2  | 12.8 mm |
| LG1 | 7.4 mm  |
| SW1 | 17 mm   |

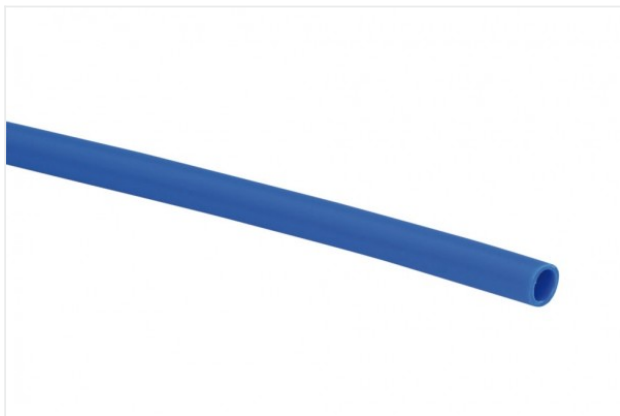
## Contact to Schmalz

J. Schmalz GmbH | Johannes-Schmalz-Straße, 72293 Glatten, Deutschland | +49 7443 2403-102 | [customercenter@schmalz.de](mailto:customercenter@schmalz.de)

## Technical Data

| Attribute                           | Value               |
|-------------------------------------|---------------------|
| Hose type                           | 8-6                 |
| Material                            | Brass               |
| Surface                             | nickel plated       |
| Pressure range (operating pressure) | -0.95 ... 15.00 bar |
| Ambient temperature                 | -20 ... 80 °C       |
| for                                 | Hose D = 8 d = 6    |
| Weight                              | 19 g                |

## Accessories



### VSL 8-6 PE

Part no. 10.07.09.00015

Hose for vacuum and compressed-air systems

External diameter D: 8 mm

Internal diameter d: 6 mm

Length (max): 100 m

Material: PE

Installation radius (min): 45 mm

Pressure range (operating pressure):

-0.95 ... 10.00 bar

Ambient temperature: -30 ... 70 °C



### VSL 8-6 PU

Part no. 10.07.09.00003

Hose for vacuum and compressed-air systems

External diameter D: 8 mm

Internal diameter d: 6 mm

Length (max): 500 m

Material: PU

Installation radius (min): 45 mm

Pressure range (operating pressure):

-0.95 ... 10.00 bar

Ambient temperature: -20 ... 90 °C

## Contact to Schmalz

