

Plug union, straight STV-GE G1/8-AG 8

<https://www.schmalz.com/10.08.02.00206>



Part no.: 10.08.02.00206

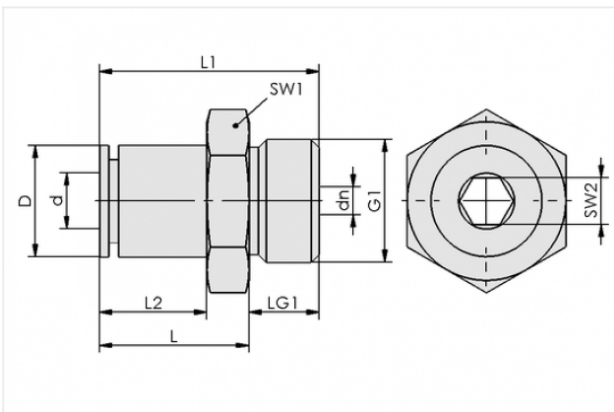
Homepage > Vacuum Technology for Automation > Vacuum Components > Filters and Connections > Hoses and Connectors > Screw in Push Fittings > STV-GE G1/8-AG 8

Screw plug connection, straight



Thread G1: G1/8-M
External hose diameter: 8 mm
Material: Brass
Surface: nickel plated

Design Data



Attribute	Value
-----------	-------

d	8 mm
---	------

dn	5.1 mm
----	--------

D	14 mm
---	-------

G1	G1/8"-M
----	---------

L	20.7 mm
---	---------

L1	26.2 mm
----	---------

L2	16.4 mm
----	---------

LG1	5.5 mm
-----	--------

SW1	14 mm
-----	-------

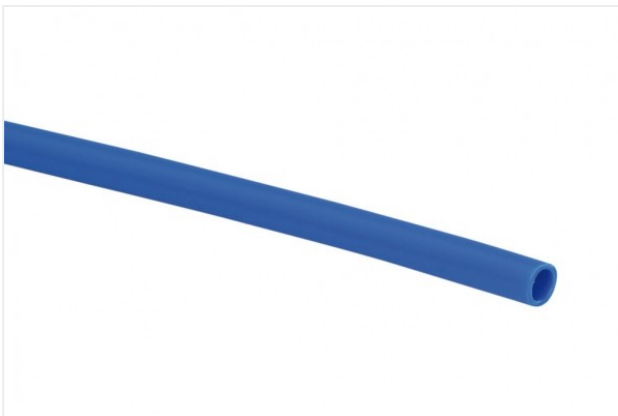
Contact to Schmalz

J. Schmalz GmbH | Johannes-Schmalz-Straße, 72293 Glatten, Deutschland | +49 7443 2403-102 | customercenter@schmalz.de

Technical Data

Attribute	Value
Hose type	8-6
Material	Brass
Surface	nickel plated
for	Hose D = 8 d = 6
Weight	16.3 g

Accessories



VSL 8-6 PE

Part no. 10.07.09.00015

Hose for vacuum and compressed-air systems

External diameter D: 8 mm

Internal diameter d: 6 mm

Length (max): 100 m

Material: PE

Installation radius (min): 45 mm

Pressure range (operating pressure):

-0.95 ... 10.00 bar

Ambient temperature: -30 ... 70 °C



VSL 8-6 PU

Part no. 10.07.09.00003

Hose for vacuum and compressed-air systems

External diameter D: 8 mm

Internal diameter d: 6 mm

Length (max): 500 m

Material: PU

Installation radius (min): 45 mm

Pressure range (operating pressure):

-0.95 ... 10.00 bar

Ambient temperature: -20 ... 90 °C