

Vacuum hose

VSL 8-6 PE

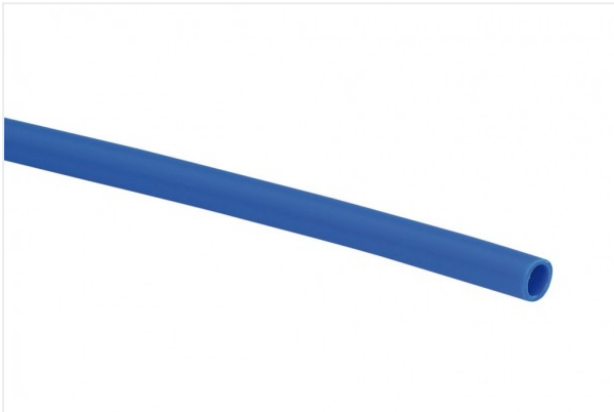
Part no.: 10.07.09.00015

<https://www.schmalz.com/10.07.09.00015>



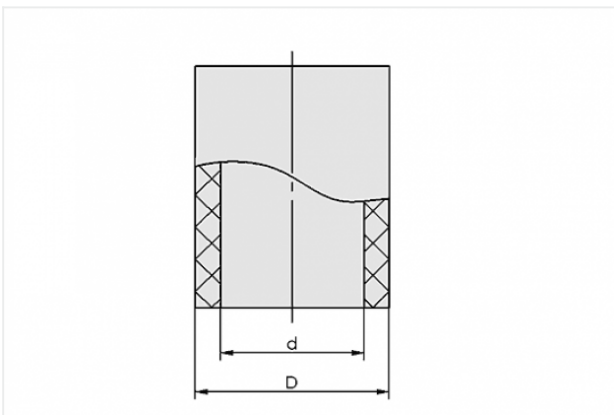
Homepage > Vacuum Technology for Automation > Vacuum Components > Filters and Connections > Hoses and Connectors > Vacuum /
Compressed-Air Hoses VSL > VSL 8-6 PE

Hose for vacuum and compressed-air systems



External diameter D: 8 mm
Internal diameter d: 6 mm
Length (max): 100 m
Material: PE
Installation radius (min): 45 mm
Pressure range (operating pressure):
-0.95 ... 10.00 bar
Ambient temperature: -30 ... 70 °C

Design Data



Attribute	Value
-----------	-------

d	6 mm
---	------

D	8 mm
---	------

Technical Data

Attribute	Value
-----------	-------

Material	PE
----------	----

Pressure range (operating pressure)	-0.95 ... 10.00 bar
-------------------------------------	---------------------

Contact to Schmalz

J. Schmalz GmbH | Johannes-Schmalz-Straße, 72293 Glatten, Deutschland | +49 7443 2403-102 |
customercenter@schmalz.de

Attribute	Value
Ambient temperature	-30 ... 70 °C
Installation radius (min)	45 mm
Length (max)	100 m
Weight/Meter	203 g/m
Weight/Meter	0.203 kg/m

Note:

- Operating pressure: In reference to media and ambient temperature of + 20°C
- Bending radius: Referred to the inner side of the hose bend in a static state
- Max. length: Please indicate the tube length when placing the order!

Accessories



ST G1/8-AG 6 MS-V

Part no. 10.08.03.00154

Hose sleeve

Thread 1: G1/8-M

Internal hose diameter: 6 mm

Material: Brass

Surface: nickel plated



ST G1/4-AG 6 MS-V

Part no. 10.08.03.00156

Hose sleeve

Thread 1: G1/4-M

Internal hose diameter: 6 mm

Material: Brass

Surface: nickel plated



STV-GE G1/8-AG 8

Part no. 10.08.02.00206

Screw plug connection, straight

Thread G1: G1/8-M

External hose diameter: 8 mm

Material: Brass

Surface: nickel plated



STV-GE G1/4-AG 8

Part no. 10.08.02.00207

Screw plug connection, straight

Thread G1: G1/4-M

External hose diameter: 8 mm

Material: Brass

Surface: nickel plated

Ambient temperature: -20 ... 80 °C



STV-GE G3/8-AG 8

Part no. 10.08.02.00237

Screw plug connection, straight

Thread G1: G3/8-M

External hose diameter: 8 mm

Material: Brass

Surface: nickel plated

Ambient temperature: -20 ... 80 °C



STVI-GE G1/8-IG 8

Part no. 10.08.02.00151

Screw plug connection, straight

Thread 1: G1/8-F

External hose diameter: 8 mm

Material: Brass

Surface: nickel plated



STVI-GE G1/4-IG 8

Part no. 10.08.02.00154

Screw plug connection, straight

Thread 1: G1/4-F

External hose diameter: 8 mm

Material: Brass

Surface: nickel plated



STV-W G1/8-AG 8

Part no. 10.08.02.00160

Screw plug connection, swivelling elbow

Thread G1: G1/8-M

External hose diameter: 8 mm

Material: Brass, nickel-plated

Ambient temperature: -20 ... 80 °C



STV-W G1/4-AG 8

Part no. 10.08.02.00161

Screw plug connection, swivelling elbow

Thread G1: G1/4-M

External hose diameter: 8 mm

Material: Brass, nickel-plated

Ambient temperature: -20 ... 80 °C



STV-W G3/8-AG 8

Part no. 10.08.02.00236

Screw plug connection, swivelling elbow

Thread G1: G3/8-M

External hose diameter: 8 mm

Material: Brass, nickel-plated

Ambient temperature: -20 ... 80 °C



STV-WF G1/8-AG 8

Part no. 10.08.02.00170

Screw plug connection, swivelling and lockable

Thread G1: G1/8-M

External hose diameter: 8 mm

Material: Brass, nickel-plated



STV-WF G1/4-AG 8

Part no. 10.08.02.00171

Screw plug connection, swivelling and lockable

Thread G1: G1/4-M

External hose diameter: 8 mm

Material: Brass, nickel-plated



STV-WF G3/8-AG 8

Part no. 10.08.02.00234

Screw plug connection, swivelling and lockable

Thread G1: G3/8-M

External hose diameter: 8 mm

Material: Brass, nickel-plated



SVB-T 8

Part no. 10.09.02.00022

Plug connection, T

External hose diameter: 8 mm

Length: 49 mm

Material: Brass

Surface: nickel plated



STV-T G1/8-AG 8

Part no. 10.09.02.00041

Screw plug connection, T

Thread 1: G1/8-M

External hose diameter: 8 mm

Length: 48.7 mm

Material: Brass

Surface: nickel plated



STV-T G1/4-AG 8

Part no. 10.09.02.00043

Screw plug connection, T

Thread 1: G1/4-M

External hose diameter: 8 mm

Length: 48.5 mm

Material: Brass

Surface: nickel plated