

# Plug union, T STV-T M5-AG 4

Part no.: 10.09.02.00038

<https://www.schmalz.com/10.09.02.00038>



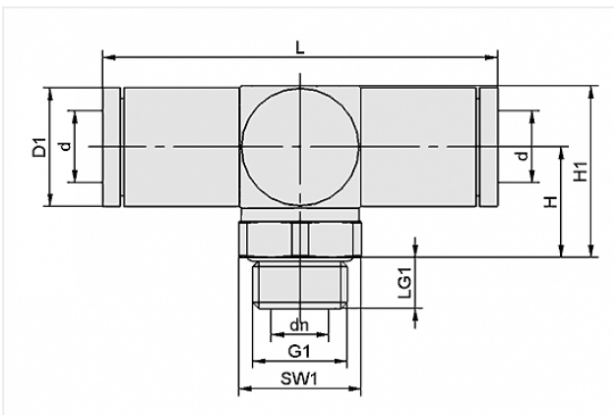
Homepage > Vacuum Technology for Automation > Vacuum Components > Filters and Connections > Hoses and Connectors > Screw in Push Fittings > STV-T M5-AG 4

## Screw plug connection, T



Thread 1: M5-M  
External hose diameter: 4 mm  
Length: 34 mm  
Material: Brass  
Surface: nickel plated

## Design Data



Attribute	Value
-----------	-------

d	4 mm
dn	2 mm
D1	8.7 mm
G1	M5-M
H	9.6 mm
H1	14 mm
L	34 mm
LG1	4.5 mm
SW1	8 mm

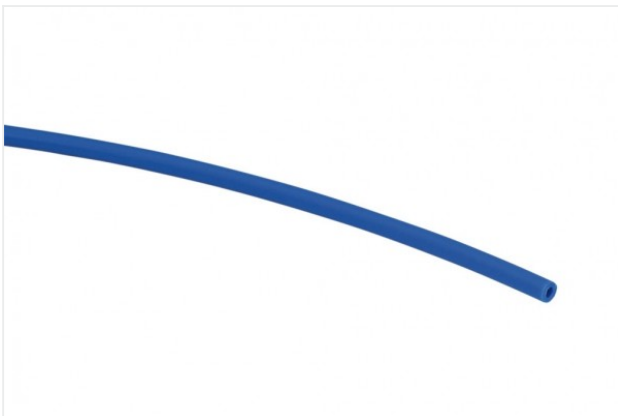
## Contact to Schmalz

J. Schmalz GmbH | Johannes-Schmalz-Straße, 72293 Glatten, Deutschland | +49 7443 2403-102 | [customercenter@schmalz.de](mailto:customercenter@schmalz.de)

## Technical Data

Attribute	Value
Hose type	4-2
Material	Brass
Surface	nickel plated
for	Hose D = 4 d = 2
Weight	14.2 g

## Accessories



### VSL 4-2 PE

Part no. 10.07.09.00013

Hose for vacuum and compressed-air systems

External diameter D: 4 mm

Internal diameter d: 2 mm

Length (max): 100 m

Material: PE

Installation radius (min): 20 mm

Pressure range (operating pressure):

-0.95 ... 10.00 bar

Ambient temperature: -30 ... 70 °C



### VSL 4-2 PU

Part no. 10.07.09.00001

Hose for vacuum and compressed-air systems

External diameter D: 4 mm

Internal diameter d: 2 mm

Length (max): 50 m

Material: PU

Installation radius (min): 20 mm

Pressure range (operating pressure):

-0.95 ... 10.00 bar

Ambient temperature: -40 ... 60 °C

**VSL 4-2.7 PA**

Part no. 10.07.09.00063

Hose for vacuum and compressed-air systems

External diameter D: 4 mm

Internal diameter d: 2.7 mm

Length (max): 50 m

Material: PA

Installation radius (min): 30 mm

Pressure range (operating pressure):

-0.95 ... 20.00 bar

Ambient temperature: -40 ... 90 °C