

Plug connector, T SVB-T 4

<https://www.schmalz.com/10.09.02.00020>



Part no.: 10.09.02.00020

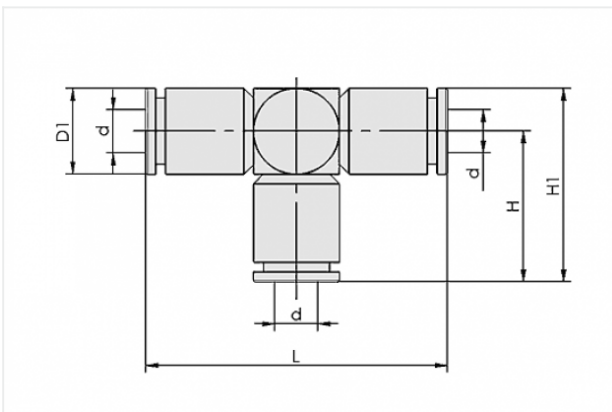
Homepage > Vacuum Technology for Automation > Vacuum Components > Filters and Connections > Hoses and Connectors > Screw in Push Fittings > SVB-T 4

Plug connection, T



External hose diameter: 4 mm
Length L: 34 mm
Material: Brass
Surface: nickel plated

Design Data



Attribute	Value
-----------	-------

d	4 mm
D1	8.6 mm
H	16.3 mm
H1	20.6 mm
L	34 mm

Technical Data

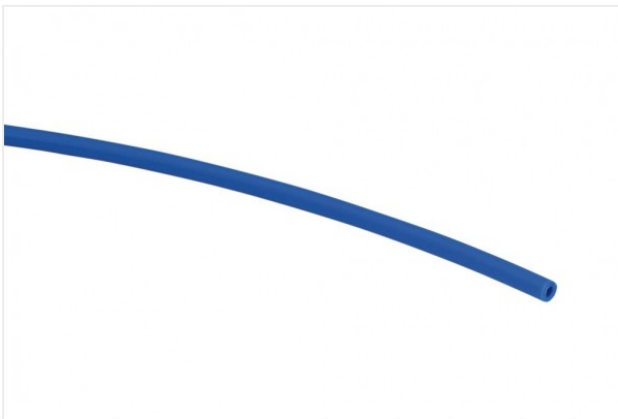
Attribute	Value
Hose type	4-2
Material	Brass

Contact to Schmalz

J. Schmalz GmbH | Johannes-Schmalz-Straße, 72293 Glatten, Deutschland | +49 7443 2403-102 | customercenter@schmalz.de

Attribute	Value
Surface	nickel plated
Pressure range (operating pressure)	-1.00 ... 15.00 bar
Ambient temperature	-20 ... 80 °C
for	Hose D = 4 d = 2
Weight	13 g

Accessories



VSL 4-2 PE

Part no. 10.07.09.00013

Hose for vacuum and compressed-air systems

External diameter D: 4 mm

Internal diameter d: 2 mm

Length (max): 100 m

Material: PE

Installation radius (min): 20 mm

Pressure range (operating pressure):

-0.95 ... 10.00 bar

Ambient temperature: -30 ... 70 °C



VSL 4-2 PU

Part no. 10.07.09.00001

Hose for vacuum and compressed-air systems

External diameter D: 4 mm

Internal diameter d: 2 mm

Length (max): 50 m

Material: PU

Installation radius (min): 20 mm

Pressure range (operating pressure):

-0.95 ... 10.00 bar

Ambient temperature: -40 ... 60 °C

**VSL 4-2.7 PA**

Part no. 10.07.09.00063

Hose for vacuum and compressed-air systems

External diameter D: 4 mm

Internal diameter d: 2.7 mm

Length (max): 50 m

Material: PA

Installation radius (min): 30 mm

Pressure range (operating pressure):

-0.95 ... 20.00 bar

Ambient temperature: -40 ... 90 °C