

# Plug union, elbow STV-WF G1/4-AG 4

<https://www.schmalz.com/10.08.02.00167>



Part no.: 10.08.02.00167

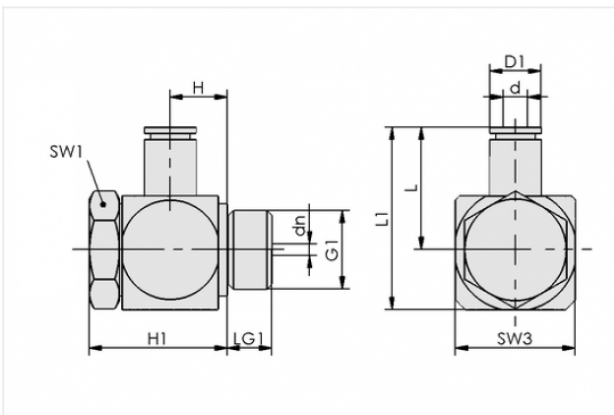
Homepage > Vacuum Technology for Automation > Vacuum Components > Filters and Connections > Hoses and Connectors > Screw in Push Fittings > STV-WF G1/4-AG 4

## Screw plug connection, swivelling and lockable



Thread G1: G1/4-M  
External hose diameter: 4 mm  
Material: Brass, nickel-plated

### Design Data



| Attribute | Value |
|-----------|-------|
|-----------|-------|

|     |         |
|-----|---------|
| d   | 4 mm    |
| dn  | 7.2 mm  |
| D1  | 8.5 mm  |
| G1  | G1/4"-M |
| H   | 9.8 mm  |
| H1  | 23.9 mm |
| L   | 19.5 mm |
| L1  | 29.4 mm |
| LG1 | 6.7 mm  |
| SW1 | 17 mm   |
| SW3 | 20 mm   |

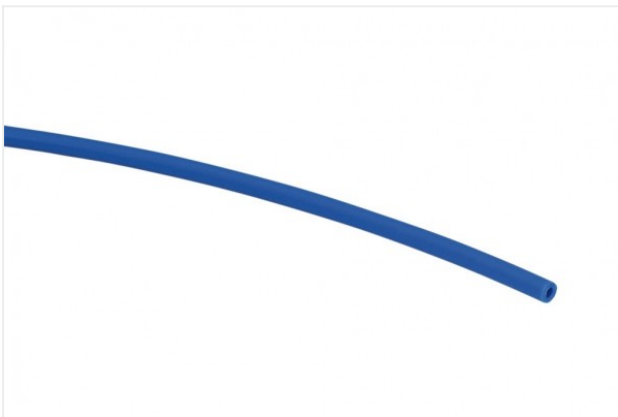
### Contact to Schmalz

J. Schmalz GmbH | Johannes-Schmalz-Straße, 72293 Glatten, Deutschland | +49 7443 2403-102 | [customercenter@schmalz.de](mailto:customercenter@schmalz.de)

## Technical Data

| Attribute                           | Value                |
|-------------------------------------|----------------------|
| Hose type                           | 4-2                  |
| Material                            | Brass, nickel-plated |
| Pressure range (operating pressure) | -0.95 ... 15.00 bar  |
| Ambient temperature                 | -10 ... 70 °C        |
| for                                 | Hose D = 4 d = 2     |
| Weight                              | 54 g                 |

## Accessories



### VSL 4-2 PE

Part no. 10.07.09.00013  
 Hose for vacuum and compressed-air systems  
 External diameter D: 4 mm  
 Internal diameter d: 2 mm  
 Length (max): 100 m  
 Material: PE  
 Installation radius (min): 20 mm  
 Pressure range (operating pressure):  
 -0.95 ... 10.00 bar  
 Ambient temperature: -30 ... 70 °C



### VSL 4-2 PU

Part no. 10.07.09.00001  
 Hose for vacuum and compressed-air systems  
 External diameter D: 4 mm  
 Internal diameter d: 2 mm  
 Length (max): 50 m  
 Material: PU  
 Installation radius (min): 20 mm  
 Pressure range (operating pressure):  
 -0.95 ... 10.00 bar  
 Ambient temperature: -40 ... 60 °C

## Contact to Schmalz

**VSL 4-2.7 PA**

Part no. 10.07.09.00063

Hose for vacuum and compressed-air systems

External diameter D: 4 mm

Internal diameter d: 2.7 mm

Length (max): 50 m

Material: PA

Installation radius (min): 30 mm

Pressure range (operating pressure):

-0.95 ... 20.00 bar

Ambient temperature: -40 ... 90 °C