

Plug union, elbow STV-W M5-AG 4

<https://www.schmalz.com/10.08.02.00155>



Part no.: 10.08.02.00155

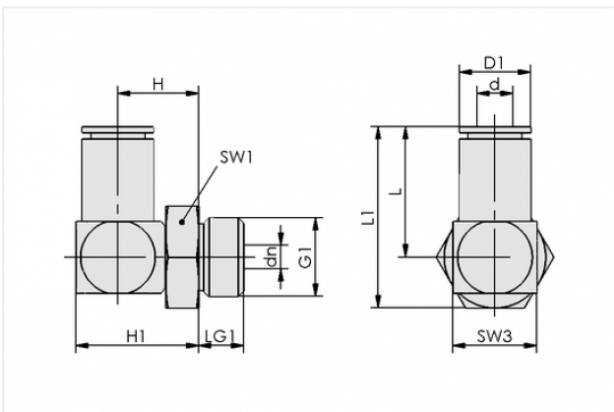
Homepage > Vacuum Technology for Automation > Vacuum Components > Filters and Connections > Hoses and Connectors > Screw in Push Fittings > STV-W M5-AG 4

Screw plug connection, swivelling elbow



Thread G1: M5-M
External hose diameter: 4 mm
Material: Brass, nickel-plated
Ambient temperature: -20 ... 80 °C

Design Data



Attribute	Value
-----------	-------

d	4 mm
---	------

dn	2.5 mm
----	--------

D1	8.5 mm
----	--------

G1	M5-M
----	------

H	8.7 mm
---	--------

H1	13.6 mm
----	---------

L	16.4 mm
---	---------

L1	21.4 mm
----	---------

LG1	4.7 mm
-----	--------

SW1	8 mm
-----	------

SW3	10 mm
-----	-------

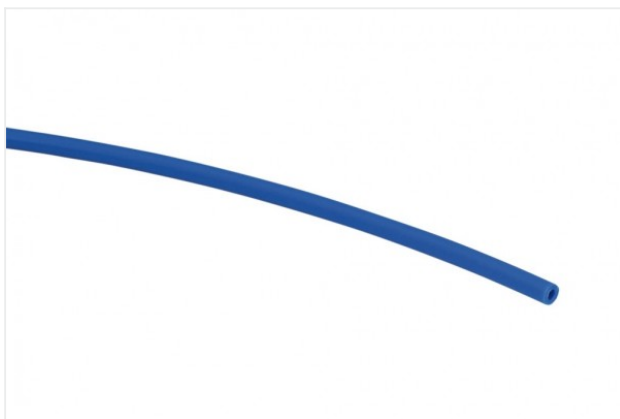
Contact to Schmalz

J. Schmalz GmbH | Johannes-Schmalz-Straße, 72293 Glatten, Deutschland | +49 7443 2403-102 | customercenter@schmalz.de

Technical Data

Attribute	Value
Hose type	4-2
Material	Brass, nickel-plated
Pressure range (operating pressure)	-1.00 ... 15.00 bar
Ambient temperature	-20 ... 80 °C
for	Hose D = 4 d = 2
Weight	16 g

Accessories



VSL 4-2 PE

Part no. 10.07.09.00013

Hose for vacuum and compressed-air systems

External diameter D: 4 mm

Internal diameter d: 2 mm

Length (max): 100 m

Material: PE

Installation radius (min): 20 mm

Pressure range (operating pressure):

-0.95 ... 10.00 bar

Ambient temperature: -30 ... 70 °C



VSL 4-2 PU

Part no. 10.07.09.00001

Hose for vacuum and compressed-air systems

External diameter D: 4 mm

Internal diameter d: 2 mm

Length (max): 50 m

Material: PU

Installation radius (min): 20 mm

Pressure range (operating pressure):

-0.95 ... 10.00 bar

Ambient temperature: -40 ... 60 °C

Contact to Schmalz

**VSL 4-2.7 PA**

Part no. 10.07.09.00063

Hose for vacuum and compressed-air systems

External diameter D: 4 mm

Internal diameter d: 2.7 mm

Length (max): 50 m

Material: PA

Installation radius (min): 30 mm

Pressure range (operating pressure):

-0.95 ... 20.00 bar

Ambient temperature: -40 ... 90 °C