

# Vacuum hose

## VSL 4-2.7 PA

Part no.: 10.07.09.00063

<https://www.schmalz.com/10.07.09.00063>



Homepage > Vacuum Technology for Automation > Vacuum Components > Filters and Connections > Hoses and Connectors > Vacuum /

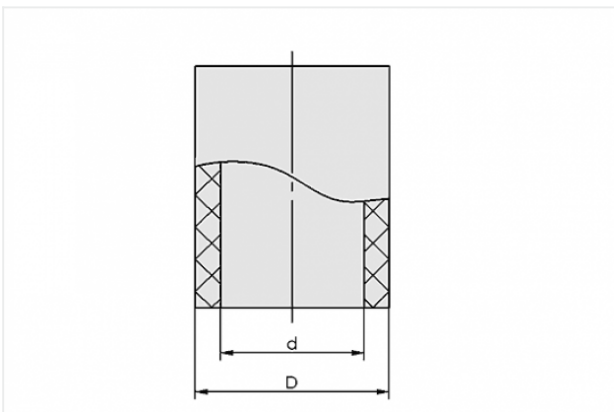
Compressed-Air Hoses VSL > VSL 4-2.7 PA

### Hose for vacuum and compressed-air systems



External diameter D: 4 mm  
Internal diameter d: 2.7 mm  
Length (max): 50 m  
Material: PA  
Installation radius (min): 30 mm  
Pressure range (operating pressure):  
-0.95 ... 20.00 bar  
Ambient temperature: -40 ... 90 °C

### Design Data



Attribute	Value
-----------	-------

d	2.7 mm
---	--------

D	4 mm
---	------

### Technical Data

Attribute	Value
-----------	-------

Material	PA
----------	----

Pressure range (operating pressure)	-0.95 ... 20.00 bar
-------------------------------------	---------------------

### Contact to Schmalz

J. Schmalz GmbH | Johannes-Schmalz-Straße, 72293 Glatten, Deutschland | +49 7443 2403-102 | [customercenter@schmalz.de](mailto:customercenter@schmalz.de)

Attribute	Value
Ambient temperature	-40 ... 90 °C
Installation radius (min)	30 mm
Length (max)	50 m
Weight/Meter	7.3 g/m
Weight/Meter	0.007 kg/m

**Note:**

- Operating pressure: In reference to media and ambient temperature of + 20°C
- Bending radius: Referred to the inner side of the hose bend in a static state
- Max. length: Please indicate the tube length when placing the order!

**Accessories**



**STV-GE M5-AG 4**

Part no. 10.08.02.00200  
 Screw plug connection, straight  
 Thread G1: M5-M  
 External hose diameter: 4 mm  
 Material: Brass  
 Surface: nickel plated  
 Ambient temperature: -20 ... 80 °C



**STV-GE G1/8-AG 4**

Part no. 10.08.02.00202  
 Screw plug connection, straight  
 Thread G1: G1/8-M  
 External hose diameter: 4 mm  
 Material: Brass  
 Surface: nickel plated  
 Ambient temperature: -20 ... 80 °C



**STV-GE G1/4-AG 4**

Part no. 10.08.02.00203

Screw plug connection, straight

Thread G1: G1/4-M

External hose diameter: 4 mm

Material: Brass

Surface: nickel plated

Ambient temperature: -20 ... 80 °C



**STVI-GE G1/8-IG 4**

Part no. 10.08.02.00149

Screw plug connection, straight

Thread 1: G1/8-F

External hose diameter: 4 mm

Material: Brass

Surface: nickel plated



**STVI-GE G1/4-IG 4**

Part no. 10.08.02.00152

Screw plug connection, straight

Thread G1: G1/4-F

External hose diameter: 4 mm

Material: Brass

Surface: nickel plated



**STV-W M5-AG 4**

Part no. 10.08.02.00155

Screw plug connection, swivelling elbow

Thread G1: M5-M

External hose diameter: 4 mm

Material: Brass, nickel-plated

Ambient temperature: -20 ... 80 °C



**STV-W G1/8-AG 4**

Part no. 10.08.02.00156

Screw plug connection, swivelling elbow

Thread G1: G1/8-M

External hose diameter: 4 mm

Material: Brass, nickel-plated

Ambient temperature: -20 ... 80 °C



**STV-W G1/4-AG 4**

Part no. 10.08.02.00157

Screw plug connection, swivelling elbow

Thread G1: G1/4-M

External hose diameter: 4 mm

Material: Brass, nickel-plated

Ambient temperature: -20 ... 80 °C



**STV-WF M5-AG 4**

Part no. 10.08.02.00165

Screw plug connection, swivelling and lockable

Thread G1: M5-M

External hose diameter: 4 mm

Material: Brass, nickel-plated



**STV-WF G1/8-AG 4**

Part no. 10.08.02.00166

Screw plug connection, swivelling and lockable

Thread G1: G1/8-M

External hose diameter: 4 mm

Material: Brass, nickel-plated



**STV-WF G1/4-AG 4**

Part no. 10.08.02.00167

Screw plug connection, swivelling and lockable

Thread G1: G1/4-M

External hose diameter: 4 mm

Material: Brass, nickel-plated



**SVB-T 4**

Part no. 10.09.02.00020

Plug connection, T

External hose diameter: 4 mm

Length L: 34 mm

Material: Brass

Surface: nickel plated



**STV-T M5-AG 4**

Part no. 10.09.02.00038

Screw plug connection, T

Thread 1: M5-M

External hose diameter: 4 mm

Length: 34 mm

Material: Brass

Surface: nickel plated



**STV-T G1/8-AG 4**

Part no. 10.09.02.00039

Screw plug connection, T

Thread 1: G1/8-M

External hose diameter: 4 mm

Length: 32.5 mm

Material: Brass

Surface: nickel plated