

Vacuum hose

VSL 6-4 PU SO

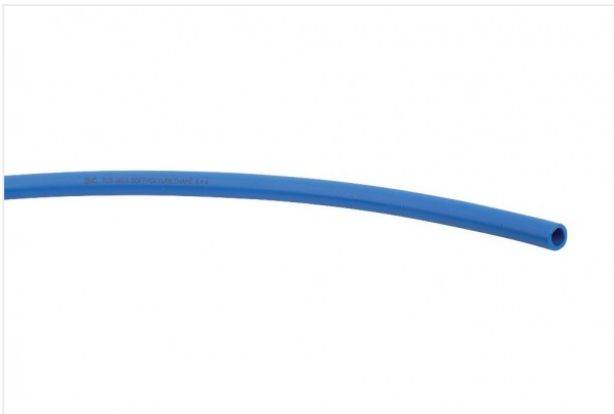
Part no.: 10.07.09.00141

<https://www.schmalz.com/10.07.09.00141>



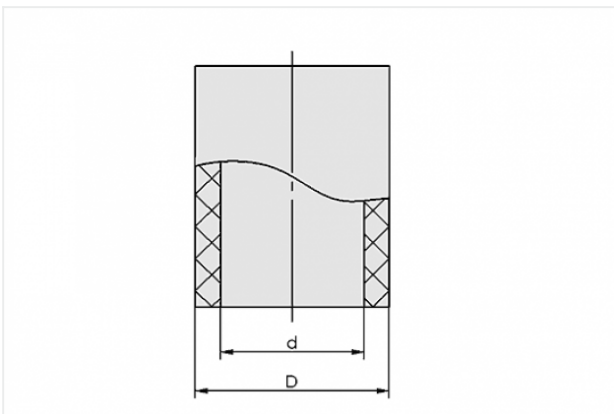
Homepage > Vacuum Technology for Automation > Vacuum Components > Mounting Elements > Spring plungers > VSL 6-4 PU SO

Hose for vacuum and compressed-air systems



External diameter D: 6 mm
Internal diameter d: 4 mm
Length (max): 50 m
Material: PU
Installation radius (min): 15 mm
Colour: blue
Pressure range (operating pressure):
0.00 ... 6.00 bar
Ambient temperature: -25 ... 60 °C
SO: Hose in soft design

Design Data



Attribute	Value
d	4 mm
D	6 mm

Technical Data

Attribute	Value
Material	PU
Pressure range (operating pressure)	0.00 ... 6.00 bar

Contact to Schmalz

J. Schmalz GmbH | Johannes-Schmalz-Straße, 72293 Glatten, Deutschland | +49 7443 2403-102 | customercenter@schmalz.de



Attribute	Value
Ambient temperature	-25 ... 60 °C
Installation radius (min)	15 mm
Length (max)	50 m
Weight	18.4 g
