

Cross-beam connection

<https://www.schmalz.com/10.08.03.00089>



HTR-STS 40x40 D10/16 WI

Part no.: 10.08.03.00089

Homepage > Vacuum Technology for Automation > Vacuum Components > Mounting Elements > Holder for Suction Cups and Spring Plungers >

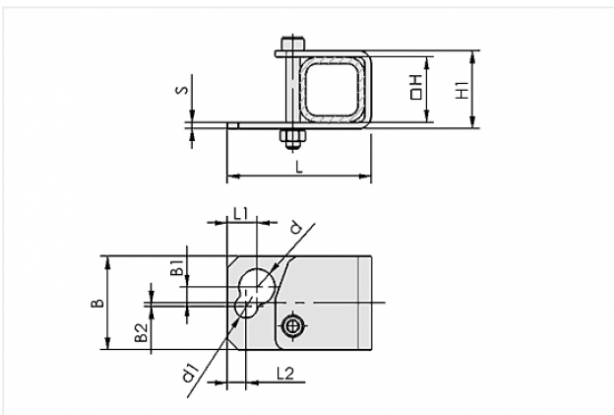
Holders for Square Tubes HTR-STS > HTR-STS 40x40 D10/16 WI

Holder for flexible mounting of suction cups/spring plungers on square tubes



Cross-beam connection: 40x40
Suction cup or spring plunger conn.:
Contour D10 and D16
Shape: angled

Design Data



| Attribute | Value |
|-----------|-------|
|-----------|-------|

| | |
|---|-------|
| B | 43 mm |
|---|-------|

| | |
|----|--------|
| B1 | 7.5 mm |
|----|--------|

| | |
|----|--------|
| B2 | 1.5 mm |
|----|--------|

| | |
|---|---------|
| d | 16.5 mm |
|---|---------|

| | |
|----|---------|
| d1 | 10.5 mm |
|----|---------|

| | |
|---|-------|
| H | 40 mm |
|---|-------|

| | |
|----|-------|
| H1 | 46 mm |
|----|-------|

| | |
|---|-------|
| L | 76 mm |
|---|-------|

| | |
|----|-------|
| L1 | 11 mm |
|----|-------|

| | |
|----|--------|
| L2 | 8.5 mm |
|----|--------|

| | |
|---|------|
| s | 3 mm |
|---|------|

Contact to Schmalz

J. Schmalz GmbH | Johannes-Schmalz-Straße, 72293 Glatten, Deutschland | +49 7443 2403-102 | customercenter@schmalz.de

Technical Data

| Attribute | Value |
|-----------|-------|
| Weight | 172 g |

Accessories



SCHE 38-18.5x5 ST VZ

Part no. 10.01.03.06140

Washer with shoulder

External diameter D: 38 mm

Internal diameter d: 18.5 mm

Length L1: 5 mm

Material: Steel

Surface: galvanised