

Cross-beam connection

<https://www.schmalz.com/10.08.03.00088>



HTR-ST 30x30 D10/16 WI

Part no.: 10.08.03.00088

Homepage > Vacuum Technology for Automation > Vacuum Components > Mounting Elements > Holder for Suction Cups and Spring Plungers >

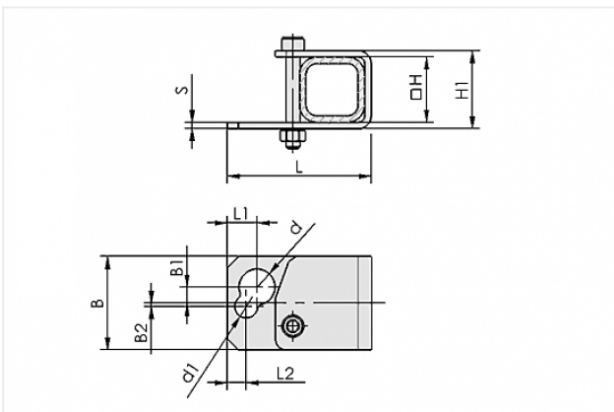
Holder for Square Tubes HTR-ST > HTR-ST 30x30 D10/16 WI

Holder for flexible mounting of suction cups/spring plungers on square tubes



Cross-beam connection: 30x30
Suction cup or spring plunger conn.:
Contour D10 and D16
Shape: angled

Design Data



Attribute	Value
-----------	-------

B	43 mm
---	-------

B1	7.5 mm
----	--------

B2	1.5 mm
----	--------

d	16.5 mm
---	---------

d1	10.5 mm
----	---------

H	30 mm
---	-------

H1	36 mm
----	-------

L	66 mm
---	-------

L1	11 mm
----	-------

L2	8.5 mm
----	--------

s	3 mm
---	------

Contact to Schmalz

J. Schmalz GmbH | Johannes-Schmalz-Straße, 72293 Glatten, Deutschland | +49 7443 2403-102 | customercenter@schmalz.de



Technical Data

Attribute	Value
Weight	140 g
