

Washer with shoulder

SCHE 38-18.5x5 ST VZ

<https://www.schmalz.com/10.01.03.06140>



Part no.: 10.01.03.06140

Homepage > Vacuum Technology for Automation > Vacuum Components > Mounting Elements > Holder for Suction Cups and Spring Plungers >

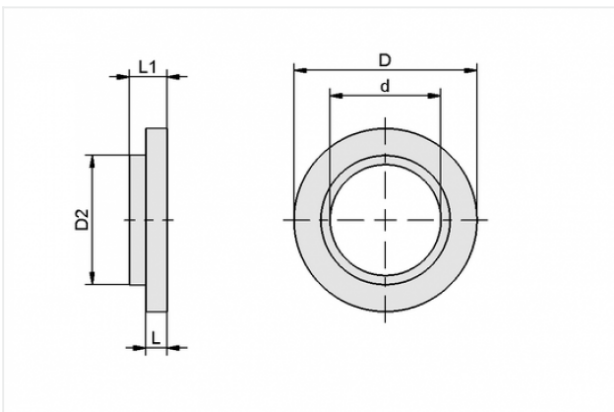
SCHE 38-18.5x5 ST VZ

Washer with shoulder



External diameter D: 38 mm
Internal diameter d: 18.5 mm
Length L1: 5 mm
Material: Steel
Surface: galvanised

Design Data



Attribute	Value
-----------	-------

d	18.5 mm
---	---------

D	38 mm
---	-------

D2	30 mm
----	-------

L	3 mm
---	------

L1	5 mm
----	------

Technical Data

Attribute	Value
-----------	-------

Material	Steel
----------	-------

Weight	26.6 g
--------	--------

Contact to Schmalz

J. Schmalz GmbH | Johannes-Schmalz-Straße, 72293 Glatten, Deutschland | +49 7443 2403-102 | customercenter@schmalz.de



[Contact to Schmalz](#)

J. Schmalz GmbH | Johannes-Schmalz-Straße, 72293 Glatten, Deutschland | +49 7443 2403-102 |
customercenter@schmalz.de