

Cross-beam connection

<https://www.schmalz.com/10.08.03.00085>



HTR-STA 47 1N D10/16 FL

Part no.: 10.08.03.00085

Homepage > Vacuum Technology for Automation > Vacuum Components > Mounting Elements > Holder for Suction Cups and Spring Plungers >

Holders for Light-Metal Sections HTR-STA > HTR-STA 47 1N D10/16 FL

Holder for flexible mounting of suction cups/spring plungers on sections



Length L: 47 mm

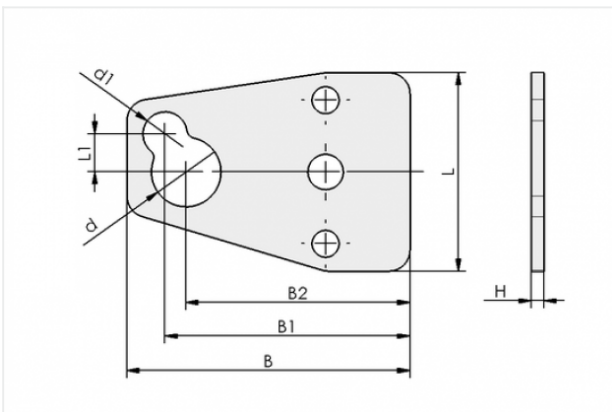
Cross-beam connection: Sliding block

Suction cup or spring plunger conn.:

Contour D10 and D16

Shape: flat

Design Data



Attribute	Value
-----------	-------

B	67 mm
---	-------

B1	58 mm
----	-------

B2	53 mm
----	-------

d	17 mm
---	-------

d1	10.5 mm
----	---------

H	3 mm
---	------

L	47 mm
---	-------

L1	9 mm
----	------

Technical Data

Contact to Schmalz

J. Schmalz GmbH | Johannes-Schmalz-Straße, 72293 Glatten, Deutschland | +49 7443 2403-102 | customercenter@schmalz.de

Attribute	Value
Weight	51 g

Accessories



SCHE 38-18.5x5 ST VZ

Part no. 10.01.03.06140

Washer with shoulder

External diameter D: 38 mm

Internal diameter d: 18.5 mm

Length L1: 5 mm

Material: Steel

Surface: galvanised