

# Vacuum hose

## VSL 4-2.5 PU SO

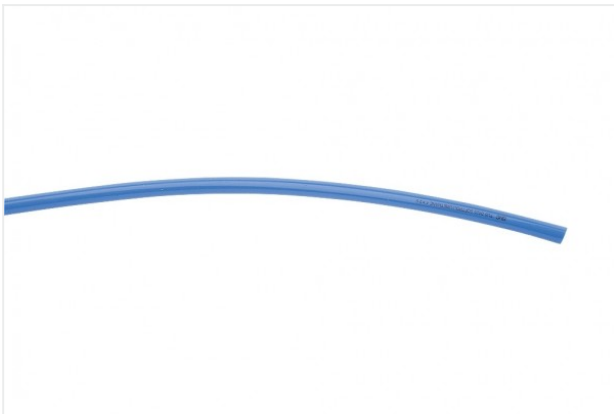
Part no.: 10.07.09.00142

<https://www.schmalz.com/10.07.09.00142>



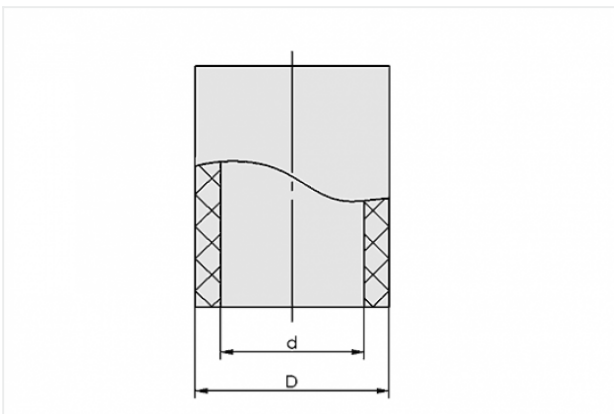
Homepage > Vacuum Technology for Automation > Vacuum Components > Mounting Elements > Spring plungers > VSL 4-2.5 PU SO

### Hose for vacuum and compressed-air systems



External diameter D: 4 mm  
Internal diameter d: 2.5 mm  
Length (max): 50 m  
Material: PU  
Installation radius (min): 8 mm  
Colour: blue  
Pressure range (operating pressure):  
0.00 ... 6.00 bar  
Ambient temperature: -25 ... 60 °C  
SO: Hose in soft design

### Design Data



Attribute	Value
d	2.5 mm
D	4 mm

### Technical Data

Attribute	Value
Material	PU
Pressure range (operating pressure)	0.00 ... 6.00 bar

### Contact to Schmalz

J. Schmalz GmbH | Johannes-Schmalz-Straße, 72293 Glatten, Deutschland | +49 7443 2403-102 | [customercenter@schmalz.de](mailto:customercenter@schmalz.de)



<b>Attribute</b>	<b>Value</b>
Ambient temperature	-25 ... 60 °C
Installation radius (min)	8 mm
Length (max)	50 m
Weight	8.7 g

---

---