

Suction ring

SR-DBD 100 NBR-60

Part no.: 10.01.01.12591

<https://www.schmalz.com/10.01.01.12591>



Homepage > Vacuum Technology for Automation > Vacuum Components > Mounting Elements > Jointed Mountings > SR-DBD 100 NBR-60

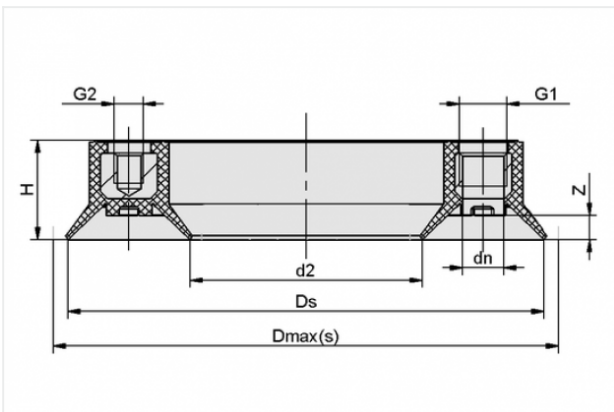
Suction ring for double blank detection



Size: 100

Material: Perbunan NBR 60±5ShA

Design Data



Attribute	Value
dn	8.6 mm
Ds	99.5 mm
G1	G1/8"-F
H	20.5 mm
Z	5 mm

Technical Data

Attribute	Value
Size	100
Weight	107.1 g

Contact to Schmalz

J. Schmalz GmbH | Johannes-Schmalz-Straße, 72293 Glatten, Deutschland | +49 7443 2403-102 | customercenter@schmalz.de



Contact to Schmalz

J. Schmalz GmbH | Johannes-Schmalz-Straße, 72293 Glatten, Deutschland | +49 7443 2403-102 |
customercenter@schmalz.de