

Holder system

HTS DBD QC1-PL

Part no.: 10.01.04.00412

<https://www.schmalz.com/10.01.04.00412>



Homepage > Vacuum Technology for Automation > Vacuum Components > Mounting Elements > Jointed Mountings > HTS DBD QC1-PL

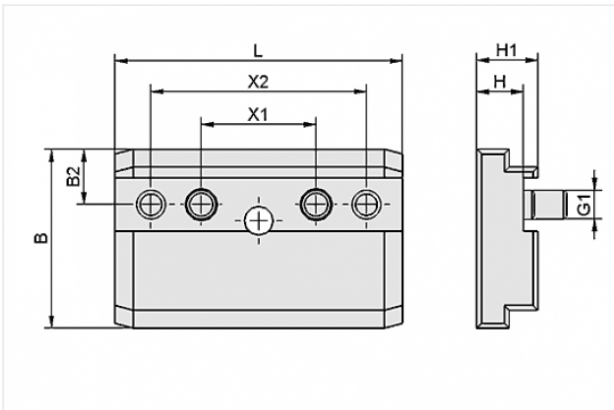
Holder system



for: Double-Blank-Detection

Size: QC1-PL

Design Data



Attribute	Value
B	50 mm
B2	15.5 mm
G1	M8-M
H	13 mm
H1	17 mm
L	80 mm
X1	32 mm
X2	60 mm

Technical Data

Attribute	Value
Weight	190.1 g

Contact to Schmalz

J. Schmalz GmbH | Johannes-Schmalz-Straße, 72293 Glatten, Deutschland | +49 7443 2403-102 | customercenter@schmalz.de



[Contact to Schmalz](#)

J. Schmalz GmbH | Johannes-Schmalz-Straße, 72293 Glatten, Deutschland | +49 7443 2403-102 |
customercenter@schmalz.de