

# Ball joint

## KGL G1/2-IG G1/2-AG

<https://www.schmalz.com/10.01.03.00111>



Part no.: 10.01.03.00111

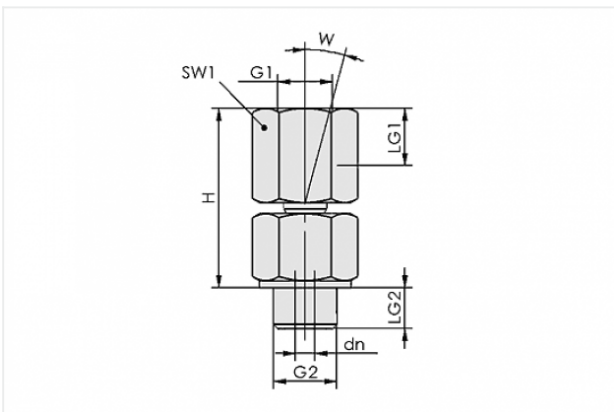
Homepage > Vacuum Technology for Automation > Vacuum Components > Mounting Elements > Jointed Mountings > Ball Joints KGL > KGL G1/2-IG G1/2-AG

### Suction cup mounting with joint for adaptation to sloping surfaces



Thread 1: G1/2-F  
Thread 2: G1/2-M  
Height: 40 mm

### Design Data



Attribute	Value
-----------	-------

W	15 °
dn	4 mm
G1	G1/2"-F
G2	G1/2"-M
H	40 mm
LG1	14 mm
LG2	12 mm
SW1	24 mm

### Technical Data

#### Contact to Schmalz

J. Schmalz GmbH | Johannes-Schmalz-Straße, 72293 Glatten, Deutschland | +49 7443 2403-102 | [customercenter@schmalz.de](mailto:customercenter@schmalz.de)

Attribute	Value
Vertical load	2500 N
Weight	116 g

## Spare Parts



### **DR G1/2 PA**

Part no. 10.07.08.00023

Sealing ring

for: G1/2"

External diameter D: 26 mm

Internal diameter d: 21.5 mm

Material: Polyamide