

# Sealing ring (f. screwing)

DR G1/4 PA

Part no.: 10.07.08.00021

<https://www.schmalz.com/10.07.08.00021>



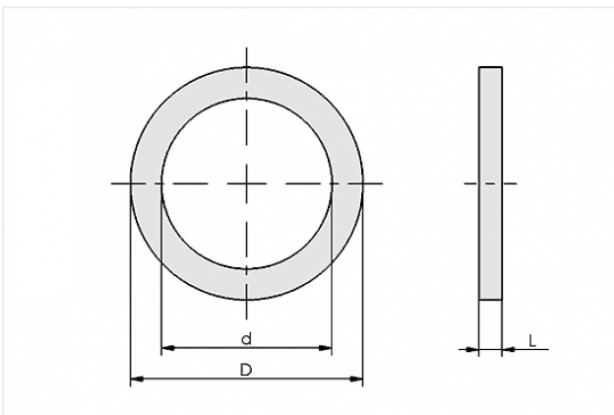
Homepage > Vacuum Technology for Automation > Vacuum Components > Filters and Connections > Hoses and Connectors > Sealing Rings DR > DR G1/4 PA

## Sealing ring



for: G1/4"  
External diameter D: 18 mm  
Internal diameter d: 13.5 mm  
Material: Polyamide

## Design Data



Attribute	Value
-----------	-------

d	13.5 mm
---	---------

D	18 mm
---	-------

L	1.5 mm
---	--------

## Technical Data

Attribute	Value
-----------	-------

Material	Polyamide
----------	-----------

Weight	1 g
--------	-----

## Contact to Schmalz

J. Schmalz GmbH | Johannes-Schmalz-Straße, 72293 Glatten, Deutschland | +49 7443 2403-102 | [customercenter@schmalz.de](mailto:customercenter@schmalz.de)



---

---

[Contact to Schmalz](#)

J. Schmalz GmbH | Johannes-Schmalz-Straße, 72293 Glatten, Deutschland | +49 7443 2403-102 |  
customercenter@schmalz.de