

Sealing ring (f. screwing)

DR G1/8 PA

Part no.: 10.07.08.00020

<https://www.schmalz.com/10.07.08.00020>



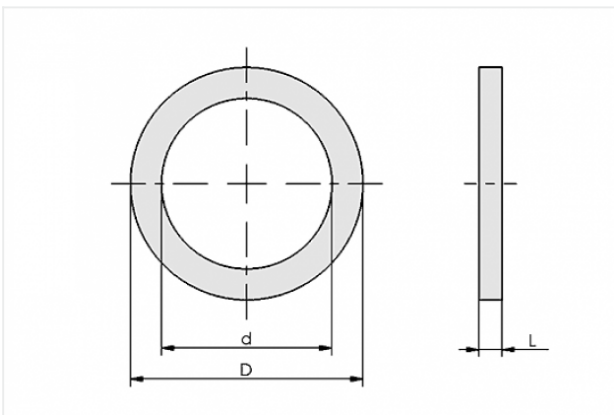
Homepage > Vacuum Technology for Automation > Vacuum Components > Filters and Connections > Hoses and Connectors > Sealing Rings DR > DR G1/8 PA

Sealing ring



for: G1/8"
External diameter D: 15 mm
Internal diameter d: 10 mm
Material: Polyamide

Design Data



Attribute	Value
d	10 mm
D	15 mm
L	1.5 mm

Technical Data

Attribute	Value
Material	Polyamide
Weight	1 g

Contact to Schmalz

J. Schmalz GmbH | Johannes-Schmalz-Straße, 72293 Glatten, Deutschland | +49 7443 2403-102 | customercenter@schmalz.de



[Contact to Schmalz](#)

J. Schmalz GmbH | Johannes-Schmalz-Straße, 72293 Glatten, Deutschland | +49 7443 2403-102 |
customercenter@schmalz.de