

Ball joint

KGL G1/8-IG G1/8-AG A2

Part no.: 10.01.03.00109

<https://www.schmalz.com/10.01.03.00109>



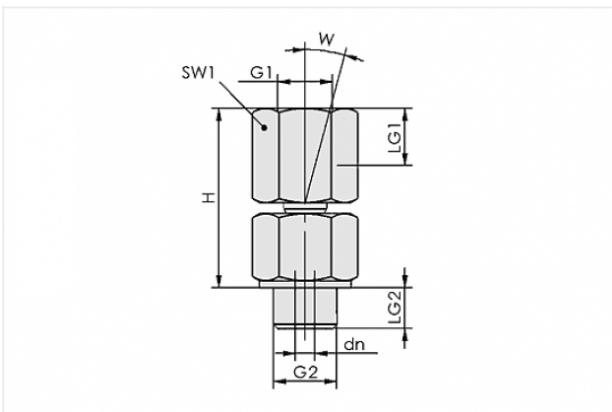
Homepage > Vacuum Technology for Automation > Vacuum Components > Mounting Elements > Jointed Mountings > Ball Joints KGL > KGL G1/8-IG G1/8-AG A2

Suction cup mounting with joint for adaptation to sloping surfaces



Thread 1: G1/8-F
Thread 2: G1/8-M
Height: 26.5 mm
Material: Stainless steel

Design Data



Attribute	Value
W	15 °
dn	2 mm
G1	G1/8"-F
G2	G1/8"-M
H	26.5 mm
LG1	8.5 mm
LG2	7 mm
SW1	14 mm

Technical Data

Contact to Schmalz

J. Schmalz GmbH | Johannes-Schmalz-Straße, 72293 Glatten, Deutschland | +49 7443 2403-102 | customercenter@schmalz.de

Attribute	Value
Vertical load	300 N
Weight	26 g

Spare Parts



DR G1/8 PA

Part no. 10.07.08.00020

Sealing ring

for: G1/8"

External diameter D: 15 mm

Internal diameter d: 10 mm

Material: Polyamide