

# Flexolink FLK G1/4-AG G1/4-AG

Part no.: 10.01.03.00152

<https://www.schmalz.com/10.01.03.00152>



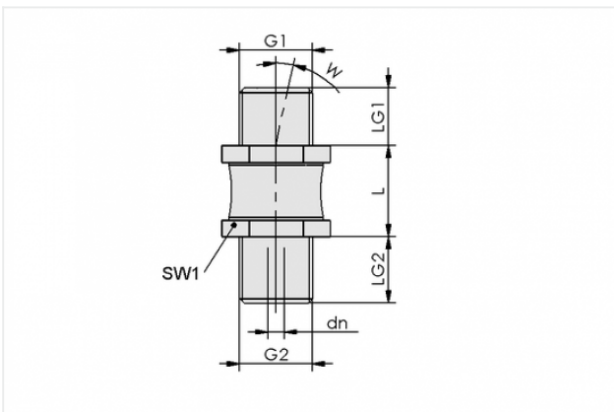
Homepage > Vacuum Technology for Automation > Vacuum Components > Mounting Elements > Jointed Mountings > Flexolink FLK > FLK G1/4-AG G1/4-AG

## Flexible suction cup mounting for adaptation to sloping surfaces



Thread G1: G1/4-M  
Thread G2: G1/4-M  
Ambient temperature: 0 ... 70 °C

### Design Data



Attribute	Value
dn	3 mm
G1	G1/4"-M
G2	G1/4"-M
L	16.5 mm
LG1	10.5 mm
LG2	12 mm
SW1	17 mm
W	12 °

### Technical Data

#### Contact to Schmalz

J. Schmalz GmbH | Johannes-Schmalz-Straße, 72293 Glatten, Deutschland | +49 7443 2403-102 | [customercenter@schmalz.de](mailto:customercenter@schmalz.de)



<b>Attribute</b>	<b>Value</b>
Bending moment	10 Nm
Vertical load	750 N
Weight	30 g

---

---