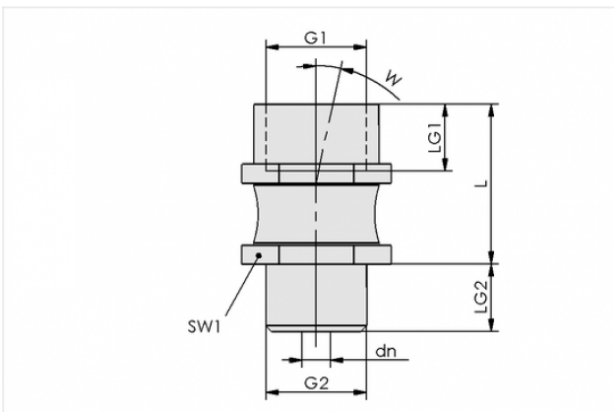


Flexible suction cup mounting for adaptation to sloping surfaces



Thread G1: G1/4-F
Thread G2: G1/4-M
Ambient temperature: 0 ... 70 °C

Design Data



Attribute	Value
-----------	-------

dn	3 mm
G1	G1/4"-F
G2	G1/4"-M
L	27 mm
LG1	12 mm
LG2	12 mm
SW1	17 mm
W	12 °

Technical Data

Contact to Schmalz



Attribute	Value
Bending moment	10 Nm
Vertical load	750 N
Weight	30 g
