

Flexolink

FLK G1/4-IG M10x1.25-AG

Part no.: 10.01.03.00206

<https://www.schmalz.com/10.01.03.00206>



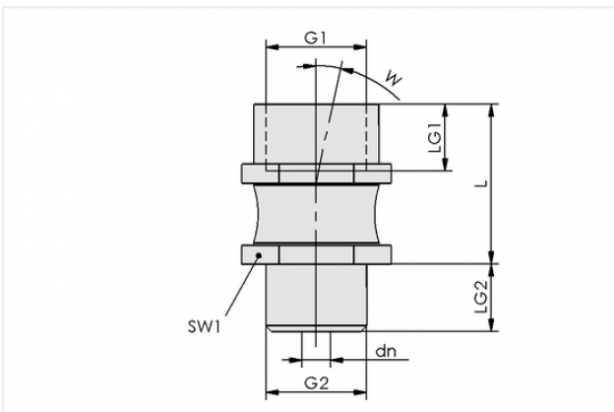
Homepage > Vacuum Technology for Automation > Vacuum Components > Mounting Elements > Jointed Mountings > Flexolink FLK > FLK G1/4-IG M10x1.25-AG

Flexible suction cup mounting for adaptation to sloping surfaces



Thread G1: G1/4-F
Thread G2: M10x1.25-M
Ambient temperature: 0 ... 70 °C

Design Data



Attribute	Value
-----------	-------

dn	2.8 mm
----	--------

G1	G1/4"-F
----	---------

G2	M10x1.25-M
----	------------

L	27 mm
---	-------

LG1	10.5 mm
-----	---------

LG2	8 mm
-----	------

SW1	17 mm
-----	-------

W	12 °
---	------

Technical Data

Contact to Schmalz

J. Schmalz GmbH | Johannes-Schmalz-Straße, 72293 Glatten, Deutschland | +49 7443 2403-102 | customercenter@schmalz.de



Attribute	Value
Bending moment	8 Nm
Vertical load	500 N
Weight	26 g