

# Feed ejector SEC-200

Part no.: 10.02.01.00079

<https://www.schmalz.com/10.02.01.00079>



Homepage > Vacuum Technology for Automation > Vacuum Components > Special Grippers > Feed Ejectors > Feed Ejectors SEC > SEC-200

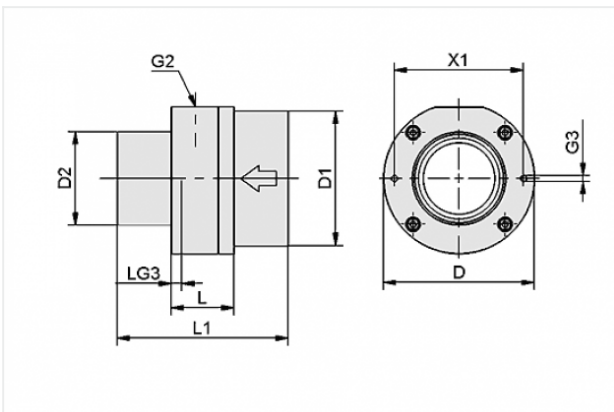
## Powerful ejector for very porous parts



Nozzle size: 20 mm

Suction rate (max): 82.5 m<sup>3</sup>/h

## Design Data



Attribute	Value
-----------	-------

D	50 mm
---	-------

D1	38 mm
----	-------

D2	32 mm
----	-------

G2	G1/4"-F
----	---------

G3	M4-F
----	------

L	30 mm
---	-------

L1	90 mm
----	-------

LG3	12 mm
-----	-------

X1	42 mm
----	-------

## Technical Data

### Contact to Schmalz

J. Schmalz GmbH | Johannes-Schmalz-Straße, 72293 Glatten, Deutschland | +49 7443 2403-102 | [customercenter@schmalz.de](mailto:customercenter@schmalz.de)

Attribute	Value
Nozzle diameter	20 mm
Vacuum (max)	-85 mbar
Suction rate (max)	1375 l/min
Suction rate (max)	82.5 m <sup>3</sup> /h
Air consumption (during evac.)	290 l/min
Air consumption (during evac.)	17.4 m <sup>3</sup> /h
Pressure range (operating pressure)	2.0 ... 6.0 bar
Ambient temperature	-20 ... 80 °C
Weight	0.18 kg
Vacuum (max)	-2.51 inHg
Suction rate (max)	48.556 cfm
Air consumption (during evac.)	10.241 cfm
Pressure range (operating pressure)	29.0 ... 87.0 psi

**Note:**

- Air consumption: At optimal operating pressure (4,5 bar)