

# Feed ejector SEC-60 A2

<https://www.schmalz.com/10.02.01.01155>



Part no.: 10.02.01.01155

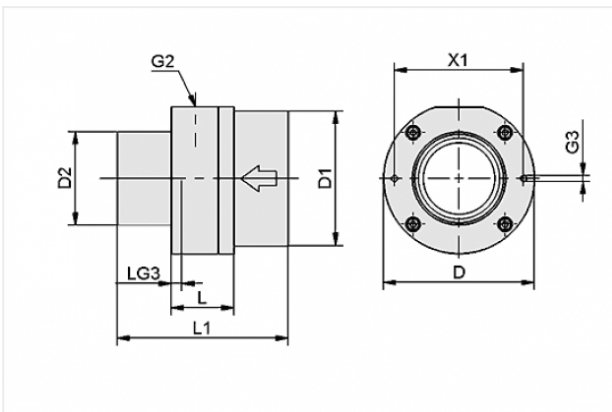
Homepage > Vacuum Technology for Automation > Vacuum Components > Special Grippers > Feed Ejectors > Feed Ejectors SEC > SEC-60 A2

## Powerful ejector for very porous parts



Nozzle size: 6,0 mm  
Suction rate (max): 12.9 m<sup>3</sup>/h  
Material: Stainless steel

## Design Data



Attribute	Value
D	32 mm
D1	12.5 mm
D2	12.5 mm
G2	M5-F
G3	M3-F
L	14 mm
L1	44 mm
LG3	5 mm
X1	25 mm

## Technical Data

### Contact to Schmalz

J. Schmalz GmbH | Johannes-Schmalz-Straße, 72293 Glatten, Deutschland | +49 7443 2403-102 | [customercenter@schmalz.de](mailto:customercenter@schmalz.de)

Attribute	Value
Nozzle diameter	6 mm
Vacuum (max)	-245 mbar
Suction rate (max)	215 l/min
Suction rate (max)	12.9 m <sup>3</sup> /h
Air consumption (during evac.)	110 l/min
Air consumption (during evac.)	6.6 m <sup>3</sup> /h
Pressure range (operating pressure)	2.0 ... 5.0 bar
Ambient temperature	-20 ... 80 °C
Material	Stainless steel
Weight	0.091 kg
Vacuum (max)	-7.234 inHg
Suction rate (max)	7.592 cfm
Air consumption (during evac.)	3.884 cfm
Pressure range (operating pressure)	29.0 ... 72.5 psi

**Note:**

- Air consumption: At optimal operating pressure (4,5 bar)