

Area vacuum gripper system

<https://www.schmalz.com/10.01.30.00520>

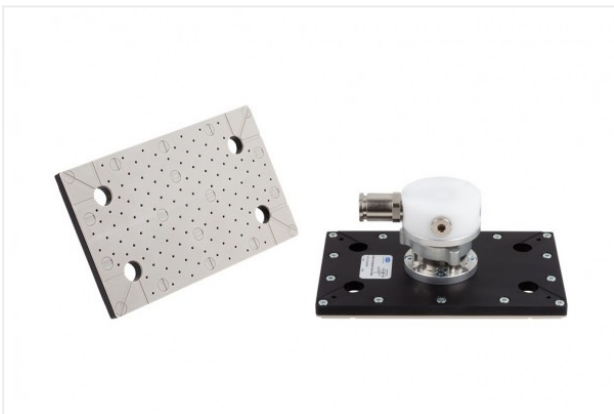


STGG 170x105 QCM PEEK

Part no.: 10.01.30.00520

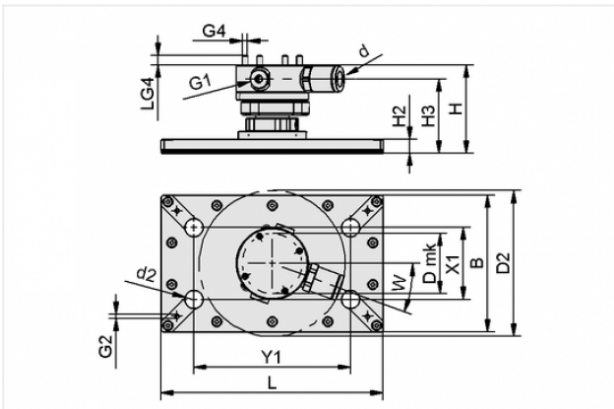
Homepage > Vacuum Technology for Automation > Vacuum Components > Special Grippers > Thin glass grippers > Thin Glass Grippers STGG > STGG 170x105 QCM PEEK

Special area gripper for gentle and extremely dynamic handling of sensitive work pieces



Length L: 170 mm
Width B: 105 mm
Height H: 67.4 mm
with: Flange module QCM
Material: Polyetheretherketon

Design Data



| Attribute | Value |
|-----------|-------|
|-----------|-------|

| | |
|---|--------|
| B | 105 mm |
|---|--------|

| | |
|---|-------|
| d | 12 mm |
|---|-------|

| | |
|----|-------|
| d2 | 14 mm |
|----|-------|

| | |
|----|--------|
| D2 | 112 mm |
|----|--------|

| | |
|------|-------|
| D mk | 46 mm |
|------|-------|

| | |
|----|---------|
| G1 | G1/8"-F |
|----|---------|

| | |
|----|------|
| G2 | M4-F |
|----|------|

| | |
|----|------|
| G4 | M4-M |
|----|------|

| | |
|---|---------|
| H | 67.4 mm |
|---|---------|

| | |
|----|---------|
| H2 | 10.5 mm |
|----|---------|

| | |
|----|---------|
| H3 | 56.9 mm |
|----|---------|

| | |
|---|--------|
| L | 170 mm |
|---|--------|

Contact to Schmalz

J. Schmalz GmbH | Johannes-Schmalz-Straße, 72293 Glatten, Deutschland | +49 7443 2403-102 | customercenter@schmalz.de

| Attribute | Value |
|-----------|--------|
| LG4 | 7.6 mm |
| W | 20 ° |
| X1 | 55 mm |
| Y1 | 120 mm |

Technical Data

| Attribute | Value |
|---------------------|----------------------|
| Holding force | 0 ... 0 N |
| Suction rate | 0 ... 0 l/min |
| Air consumption | ... l/min |
| Flow rate (max) | 20 m ³ /h |
| Ambient temperature | 5 ... 60 °C |
| Weight | 475 g |

Accessories



HTR-UNI SWGm

Part no. 10.01.30.00117

Holder system

Cross-beam connection:

Universal holder

for: Wafer gripper (mod)



HTR M8x1-IG SWGm
Part no. 10.01.30.00118
Holder system
Thread G1: M8x1-F
for: Wafer gripper (mod)



HTR M12x1-IG SWGm
Part no. 10.01.30.00119
Holder system
Thread G1: M12x1-F
for: Wafer gripper (mod)



SD-MOD 4 32x15x35 FG 9 SWGm
Part no. 10.01.30.00121
Suction-/ Absorption module
Internal diameter: 4 mm
Length: 32 mm
Width: 15 mm
Height: 35 mm
Hose diameter: 4 mm
Suct. pads: Bellows suct. pad FG
Diameter: 9 mm
for: Wafer gripper (mod)



SBSm 14 90-3 4/2 0

Part no. 10.01.01.12912

Floating suction cup module for increasing the transfer height of sensitive workpieces

Width B: 14 mm

Angle of radiation: 90 °

Number of holes: 3

Connection: Hose 4/2

Slewing angle W: 0 °



FLAN-PL 55x7.5-AB1

Part no. 10.01.30.00015

Flange plate (round)

External diameter D: 55 mm

Length L: 7.5 mm

Size: AB1



FLAN-PL 63x10.5-AD1

Part no. 10.01.30.00016

Flange plate (round)

External diameter D: 63 mm

Length L: 10.5 mm

Size: AD1



FLAN-PL 63x11.5-UNI

Part no. 10.01.30.00017
Flange plate (round)
External diameter D: 63 mm
Length L: 11.5 mm
Size: UNI



FLAN-PL 80x9-ST1

Part no. 10.01.30.00167
Flange plate (round)
External diameter: 80 mm
Length: 9 mm
Size: ST1



FLAN-PL 55x9.5-JP1

Part no. 10.01.30.00194
Flange plate (round)
External diameter D: 55 mm
Length L: 9.5 mm
Size: JP1



FLAN-PL 55x7.5-EL1

Part no. 10.01.30.00208

Flange plate (round)

External diameter D: 55 mm

Length L: 7.5 mm

Size: EL1