

Area vacuum gripper system
STGG 100x55 QCM 51 PEEK
 Part no.: 10.01.30.00519

<https://www.schmalz.com/10.01.30.00519>



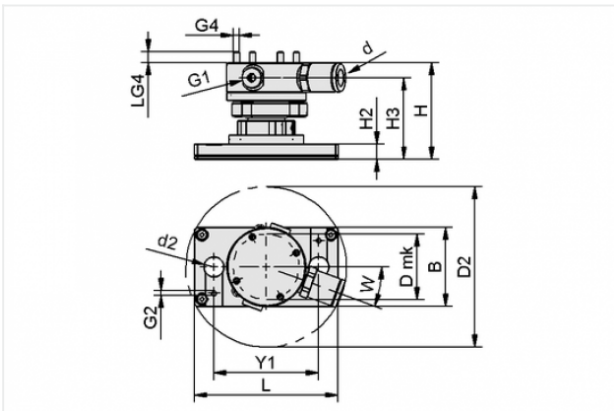
Homepage > Vacuum Technology for Automation > Vacuum Components > Special Grippers > Thin glass grippers > Thin Glass Grippers STGG > STGG 100x55 QCM 51 PEEK

Special area gripper for gentle and extremely dynamic handling of sensitive work pieces



Length L: 100 mm
 Width B: 55 mm
 Height H: 67.4 mm
 with: Flange module QCM
 Size: 51
 Material: Polyetheretherketon

Design Data



Attribute	Value
B	55 mm
d	12 mm
d2	14 mm
D2	112 mm
D mk	46 mm
G1	G1/8"-F
G2	M4-F
G4	M4-M
H	67.4 mm
H2	10.5 mm
H3	56.9 mm
L	100 mm

Contact to Schmalz

J. Schmalz GmbH | Johannes-Schmalz-Straße, 72293 Glatten, Deutschland | +49 7443 2403-102 | customercenter@schmalz.de

Attribute	Value
LG4	7.6 mm
W	20 °
Y1	73 mm

Technical Data

Attribute	Value
Flow rate (max)	20 m ³ /h
Ambient temperature	5 ... 60 °C
Weight	325 g

Accessories



HTR-UNI SWGm

Part no. 10.01.30.00117

Holder system

Cross-beam connection:

Universal holder

for: Wafer gripper (mod)



HTR M8x1-IG SWGm
Part no. 10.01.30.00118
Holder system
Thread G1: M8x1-F
for: Wafer gripper (mod)



HTR M12x1-IG SWGm
Part no. 10.01.30.00119
Holder system
Thread G1: M12x1-F
for: Wafer gripper (mod)



SD-MOD 4 32x15x35 FG 9 SWGm
Part no. 10.01.30.00121
Suction-/ Absorption module
Internal diameter: 4 mm
Length: 32 mm
Width: 15 mm
Height: 35 mm
Hose diameter: 4 mm
Suct. pads: Bellows suct. pad FG
Diameter: 9 mm
for: Wafer gripper (mod)



SBSm 14 90-3 4/2 90

Part no. 10.01.01.13171

Floating suction cup module for increasing the transfer height of sensitive workpieces

Width B: 14 mm

Angle of radiation: 90 °

Number of holes: 3

Connection: Hose 4/2

Slewing angle W: 90 °



FLAN-PL 55x7.5-AB1

Part no. 10.01.30.00015

Flange plate (round)

External diameter D: 55 mm

Length L: 7.5 mm

Size: AB1



FLAN-PL 63x10.5-AD1

Part no. 10.01.30.00016

Flange plate (round)

External diameter D: 63 mm

Length L: 10.5 mm

Size: AD1



FLAN-PL 63x11.5-UNI

Part no. 10.01.30.00017
Flange plate (round)
External diameter D: 63 mm
Length L: 11.5 mm
Size: UNI



FLAN-PL 80x9-ST1

Part no. 10.01.30.00167
Flange plate (round)
External diameter: 80 mm
Length: 9 mm
Size: ST1



FLAN-PL 55x9.5-JP1

Part no. 10.01.30.00194
Flange plate (round)
External diameter D: 55 mm
Length L: 9.5 mm
Size: JP1



FLAN-PL 55x7.5-EL1

Part no. 10.01.30.00208

Flange plate (round)

External diameter D: 55 mm

Length L: 7.5 mm

Size: EL1