

# Area vacuum gripper system

<https://www.schmalz.com/10.01.30.00473>



## STGG S 170x105 1xE100 A PEEK

Part no.: 10.01.30.00473

Homepage > Vacuum Technology for Automation > Vacuum Components > Special Grippers > Thin glass grippers > Thin Glass Grippers STGG >

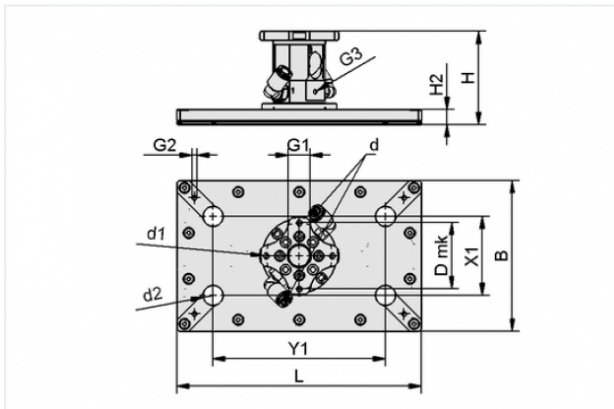
STGG S 170x105 1xE100 A PEEK

## Special area gripper for gentle and extremely dynamic handling of sensitive work pieces



Shape: Sidewise exhaust air  
Length L: 170 mm  
Width B: 105 mm  
Height H: 65 mm  
Number of ejectors: 1  
Performance class: E100  
Shape: Blow-off function  
Material: Polyetheretherketon

### Design Data



Attribute	Value
-----------	-------

B	105 mm
---	--------

d	6 mm
---	------

d1	4 mm
----	------

d2	14 mm
----	-------

D mk	46 mm
------	-------

G1	G3/8"-F
----	---------

G2	M4-F
----	------

G3	M4-F
----	------

H	65 mm
---	-------

H2	10.5 mm
----	---------

L	170 mm
---	--------

X1	55 mm
----	-------

### Contact to Schmalz

J. Schmalz GmbH | Johannes-Schmalz-Straße, 72293 Glatten, Deutschland | +49 7443 2403-102 | [customercenter@schmalz.de](mailto:customercenter@schmalz.de)

Attribute	Value
Y1	120 mm

## Technical Data

Attribute	Value
Holding force	13 ... 45 N
Suction rate	160 ... 235 l/min
Air consumption	60 ... 120 l/min
Pressure range (operating pressure)	1.0 ... 3.0 bar
Ambient temperature	5 ... 60 °C
Weight	360 g

## Accessories



### **ABL-SET 14 SWG/SCG**

Part no. 10.01.30.00059

Exhaust air set

External hose diameter: 14 mm

for: Wafer-/Coanda gripper



**EMV 1.5 24V-DC 3/2 NC K-2P**

Part no. 10.05.01.00288

Solenoid valve EMV for direct control of compressed air

Nominal size: 1.5 mm

Voltage: 24V - DC

Function: 3/2-way valve

Control: Normally closed

Connecting thread: M5-M

contains: Cable 2

Cable length: 3 m



**EMV 2.5 24V-DC 3/2 NC K-2P**

Part no. 10.05.01.00289

Solenoid valve EMV for direct control of compressed air

Nominal size: 2.5 mm

Voltage: 24V - DC

Function: 3/2-way valve

Control: Normally closed

Connecting thread: G1/8-M

contains: Cable 2

Cable length: 3 m



**HTR-UNI SWGm**

Part no. 10.01.30.00117

Holder system

Cross-beam connection:

Universal holder

for: Wafer gripper (mod)



**HTR M8x1-IG SWGm**  
Part no. 10.01.30.00118  
Holder system  
Thread G1: M8x1-F  
for: Wafer gripper (mod)



**HTR M12x1-IG SWGm**  
Part no. 10.01.30.00119  
Holder system  
Thread G1: M12x1-F  
for: Wafer gripper (mod)



**SD-MOD 4 32x15x35 FG 9 SWGm**  
Part no. 10.01.30.00121  
Suction-/ Absorption module  
Internal diameter: 4 mm  
Length: 32 mm  
Width: 15 mm  
Height: 35 mm  
Hose diameter: 4 mm  
Suct. pads: Bellows suct. pad FG  
Diameter: 9 mm  
for: Wafer gripper (mod)



**SBSm 14 90-3 4/2 0**

Part no. 10.01.01.12912

Floating suction cup module for increasing the transfer height of sensitive workpieces

Width B: 14 mm

Angle of radiation: 90 °

Number of holes: 3

Connection: Hose 4/2

Slewing angle W: 0 °



**FLAN-PL 55x7.5-AB1**

Part no. 10.01.30.00015

Flange plate (round)

External diameter D: 55 mm

Length L: 7.5 mm

Size: AB1



**FLAN-PL 63x10.5-AD1**

Part no. 10.01.30.00016

Flange plate (round)

External diameter D: 63 mm

Length L: 10.5 mm

Size: AD1



**FLAN-PL 63x11.5-UNI**

Part no. 10.01.30.00017  
Flange plate (round)  
External diameter D: 63 mm  
Length L: 11.5 mm  
Size: UNI



**FLAN-PL 80x9-ST1**

Part no. 10.01.30.00167  
Flange plate (round)  
External diameter: 80 mm  
Length: 9 mm  
Size: ST1



**FLAN-PL 55x9.5-JP1**

Part no. 10.01.30.00194  
Flange plate (round)  
External diameter D: 55 mm  
Length L: 9.5 mm  
Size: JP1



**FLAN-PL 55x7.5-EL1**

Part no. 10.01.30.00208

Flange plate (round)

External diameter D: 55 mm

Length L: 7.5 mm

Size: EL1