

Floating suction cup module

<https://www.schmalz.com/10.01.01.13171>



SBSm 14 90-3 4/2 90

Part no.: 10.01.01.13171

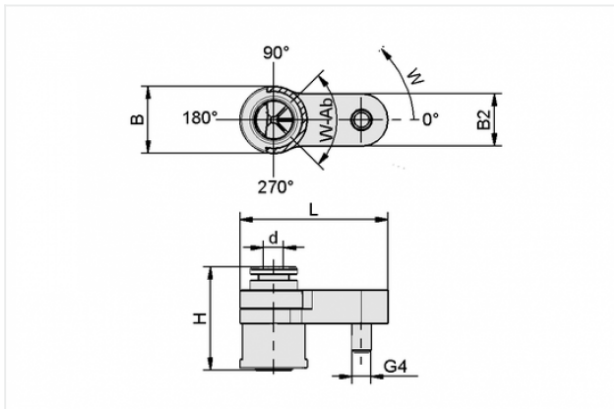
Homepage > Vacuum Technology for Automation > Vacuum Components > Special Grippers > Thin glass grippers > Accessories STGG > SBSm 14 90-3 4/2 90

Floating suction cup module for increasing the transfer height of sensitive workpieces



Width B: 14 mm
Angle of radiation: 90 °
Number of holes: 3
Connection: Hose 4/2
Slewing angle W: 90 °

Design Data



Attribute	Value
-----------	-------

B	14 mm
---	-------

B2	11 mm
----	-------

d	4.2 mm
---	--------

G4	M4-M
----	------

H	21.6 mm
---	---------

L	30.85 mm
---	----------

W	90 °
---	------

W-Ab	90 °
------	------

Technical Data

Contact to Schmalz

J. Schmalz GmbH | Johannes-Schmalz-Straße, 72293 Glatten, Deutschland | +49 7443 2403-102 | customercenter@schmalz.de



Attribute	Value
Pressure range (operating pressure)	0.5 ... 6.0 bar
Weight	11 g
