

Area vacuum gripper system

<https://www.schmalz.com/10.01.30.00469>



STGG S 100x55 1xE100 A PEEK

Part no.: 10.01.30.00469

Homepage > Vacuum Technology for Automation > Vacuum Components > Special Grippers > Thin glass grippers > Thin Glass Grippers STGG >

STGG S 100x55 1xE100 A PEEK

Special area gripper for gentle and extremely dynamic handling of sensitive work pieces



Shape: Sidewise exhaust air

Length L: 100 mm

Width B: 55 mm

Height H: 65 mm

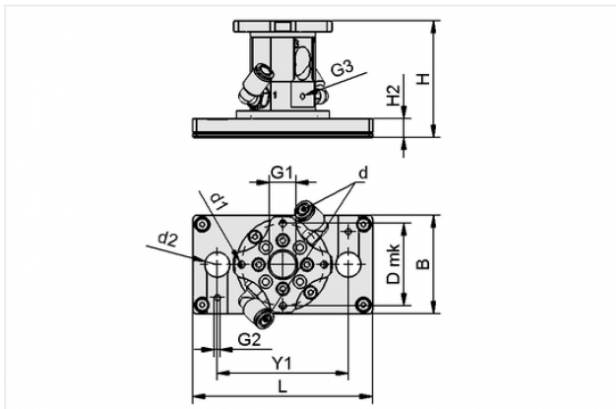
Number of ejectors: 1

Performance class: E100

Shape: Blow-off function

Material: Polyetheretherketon

Design Data



Attribute	Value
-----------	-------

B	55 mm
---	-------

d	6 mm
---	------

d1	4 mm
----	------

d2	14 mm
----	-------

D mk	46 mm
------	-------

G1	G3/8"-F
----	---------

G2	M4-F
----	------

G3	M4-F
----	------

H	65 mm
---	-------

H2	10.5 mm
----	---------

L	100 mm
---	--------

Y1	73 mm
----	-------

Contact to Schmalz

J. Schmalz GmbH | Johannes-Schmalz-Straße, 72293 Glatten, Deutschland | +49 7443 2403-102 | customercenter@schmalz.de

Technical Data

Attribute	Value
Holding force	4 ... 15 N
Suction rate	160 ... 235 l/min
Air consumption	60 ... 120 l/min
Pressure range (operating pressure)	1.0 ... 3.0 bar
Ambient temperature	5 ... 60 °C
Weight	215 g

Accessories



ABL-SET 14 SWG/SCG

Part no. 10.01.30.00059

Exhaust air set

External hose diameter: 14 mm
for: Wafer-/Coanda gripper



EMV 1.5 24V-DC 3/2 NC K-2P

Part no. 10.05.01.00288

Solenoid valve EMV for direct control of compressed air

Nominal size: 1.5 mm

Voltage: 24V - DC

Function: 3/2-way valve

Control: Normally closed

Connecting thread: M5-M

contains: Cable 2

Cable length: 3 m



EMV 2.5 24V-DC 3/2 NC K-2P

Part no. 10.05.01.00289

Solenoid valve EMV for direct control of compressed air

Nominal size: 2.5 mm

Voltage: 24V - DC

Function: 3/2-way valve

Control: Normally closed

Connecting thread: G1/8-M

contains: Cable 2

Cable length: 3 m



HTR-UNI SWGm

Part no. 10.01.30.00117

Holder system

Cross-beam connection:

Universal holder

for: Wafer gripper (mod)



HTR M8x1-IG SWGm
Part no. 10.01.30.00118
Holder system
Thread G1: M8x1-F
for: Wafer gripper (mod)



HTR M12x1-IG SWGm
Part no. 10.01.30.00119
Holder system
Thread G1: M12x1-F
for: Wafer gripper (mod)



SD-MOD 4 32x15x35 FG 9 SWGm
Part no. 10.01.30.00121
Suction-/ Absorption module
Internal diameter: 4 mm
Length: 32 mm
Width: 15 mm
Height: 35 mm
Hose diameter: 4 mm
Suct. pads: Bellows suct. pad FG
Diameter: 9 mm
for: Wafer gripper (mod)



SBSm 14 90-3 4/2 90

Part no. 10.01.01.13171

Floating suction cup module for increasing the transfer height of sensitive workpieces

Width B: 14 mm

Angle of radiation: 90 °

Number of holes: 3

Connection: Hose 4/2

Slewing angle W: 90 °



FLAN-PL 55x7.5-AB1

Part no. 10.01.30.00015

Flange plate (round)

External diameter D: 55 mm

Length L: 7.5 mm

Size: AB1



FLAN-PL 63x10.5-AD1

Part no. 10.01.30.00016

Flange plate (round)

External diameter D: 63 mm

Length L: 10.5 mm

Size: AD1



FLAN-PL 63x11.5-UNI

Part no. 10.01.30.00017
Flange plate (round)
External diameter D: 63 mm
Length L: 11.5 mm
Size: UNI



FLAN-PL 80x9-ST1

Part no. 10.01.30.00167
Flange plate (round)
External diameter: 80 mm
Length: 9 mm
Size: ST1



FLAN-PL 55x9.5-JP1

Part no. 10.01.30.00194
Flange plate (round)
External diameter D: 55 mm
Length L: 9.5 mm
Size: JP1



FLAN-PL 55x7.5-EL1

Part no. 10.01.30.00208

Flange plate (round)

External diameter D: 55 mm

Length L: 7.5 mm

Size: EL1