

Sealing ring

DR 78/54x5 MOS SI-15

Part no.: 10.01.06.02619

<https://www.schmalz.com/10.01.06.02619>



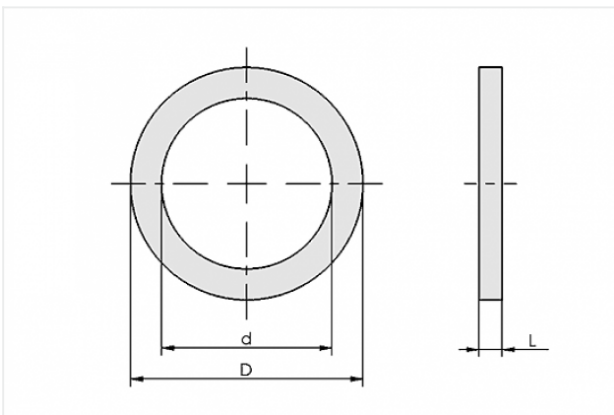
Homepage > Vacuum Technology for Automation > Vacuum Components > Vacuum Suction Cups > Accessories Vacuum Suction Cups > Sealing Rings DR-MOS SI > DR 78/54x5 MOS SI-15

Gasket made from special foam for optimal sealing of structured surfaces



External diameter D: 78 mm
Internal diameter d: 54 mm
Height H: 5 mm
Material-Type: Foam rubber
Sealing material: Silicone SI
Material hardness: 15 °Sh

Design Data



| Attribute | Value |
|-----------|-------|
|-----------|-------|

| | |
|---|-------|
| d | 54 mm |
| D | 78 mm |
| L | 5 mm |

Technical Data

| Attribute | Value |
|------------------------|-------------|
| Material-Type | Foam rubber |
| Temperature resistance | 180 °C |

Contact to Schmalz

J. Schmalz GmbH | Johannes-Schmalz-Straße, 72293 Glatten, Deutschland | +49 7443 2403-102 | customercenter@schmalz.de



| Attribute | Value |
|-----------|-------|
| Colour | beige |
| Weight | 4.2 g |
