

# Sealing ring

## DR 42/20x5 MOS SI-15

Part no.: 10.01.06.02616

<https://www.schmalz.com/10.01.06.02616>



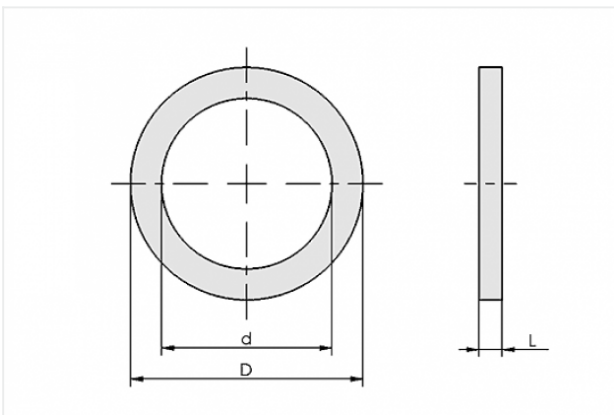
Homepage > Vacuum Technology for Automation > Vacuum Components > Vacuum Suction Cups > Accessories Vacuum Suction Cups > Sealing Rings DR-MOS SI > DR 42/20x5 MOS SI-15

### Gasket made from special foam for optimal sealing of structured surfaces



External diameter D: 42 mm  
Internal diameter d: 20 mm  
Height H: 5 mm  
Material-Type: Foam rubber  
Sealing material: Silicone SI  
Material hardness: 15 °Sh

### Design Data



Attribute	Value
-----------	-------

d	20 mm
D	42 mm
L	5 mm

### Technical Data

Attribute	Value
Material-Type	Foam rubber
Temperature resistance	180 °C

### Contact to Schmalz

J. Schmalz GmbH | Johannes-Schmalz-Straße, 72293 Glatten, Deutschland | +49 7443 2403-102 | [customercenter@schmalz.de](mailto:customercenter@schmalz.de)



Attribute	Value
Colour	beige
Weight	1.8 g

---

---