

Filter disc

FD 55 120

Part no.: 10.01.06.02570

<https://www.schmalz.com/10.01.06.02570>



Homepage > Vacuum Technology for Automation > Vacuum Components > Vacuum Suction Cups > Accessories Vacuum Suction Cups > Filter

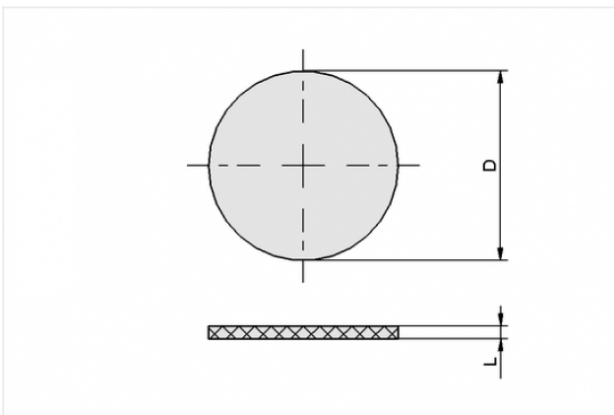
Discs FD > FD 55 120

Filter disc



External diameter D: 55 mm
Filter pore size: 120 µm
for: Bellows suction pad
Size: FGA53

Design Data



Attribute	Value
D	55 mm
L	1.5 mm

Technical Data

Attribute	Value
Size	FGA53
Material	Polyethylene

Contact to Schmalz

J. Schmalz GmbH | Johannes-Schmalz-Straße, 72293 Glatten, Deutschland | +49 7443 2403-102 | customercenter@schmalz.de



Attribute	Value
Filter pore size	120 µm
Weight	2.1 g
