

Filter disc

FD 27 120

Part no.: 10.01.06.02571

<https://www.schmalz.com/10.01.06.02571>



Homepage > Vacuum Technology for Automation > Vacuum Components > Vacuum Suction Cups > Accessories Vacuum Suction Cups > Filter

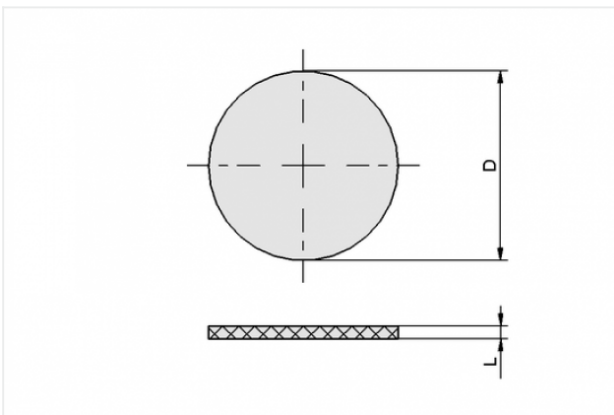
Discs FD > FD 27 120

Filter disc



External diameter D: 27 mm
Filter pore size: 120 µm
for: Bellows suction pad
Size: FG32

Design Data



Attribute	Value
D	27 mm
L	1.5 mm

Technical Data

Attribute	Value
Size	FG32
Material	Polyethylene

Contact to Schmalz

J. Schmalz GmbH | Johannes-Schmalz-Straße, 72293 Glatten, Deutschland | +49 7443 2403-102 | customercenter@schmalz.de



Attribute	Value
Filter pore size	120 µm
Weight	0.5 g
