

# Filter disc

## FD 18 120

Part no.: 10.01.06.02567

<https://www.schmalz.com/10.01.06.02567>



Homepage > Vacuum Technology for Automation > Vacuum Components > Vacuum Suction Cups > FD 18 120

## Filter disc



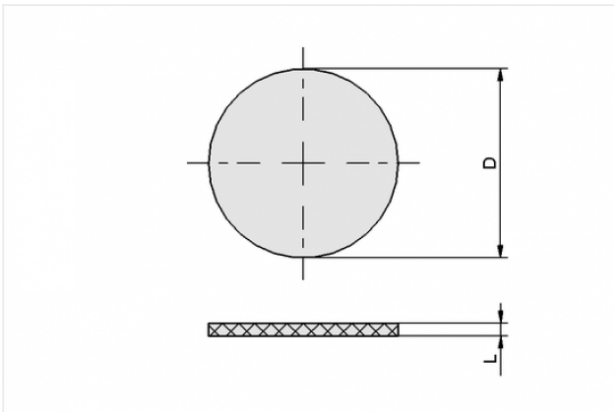
External diameter D: 18 mm

Filter pore size: 120  $\mu$ m

for: Bellows suction pad

Size: FG25/FGA25

## Design Data



Attribute	Value
D	18 mm
L	1.5 mm

## Technical Data

Attribute	Value
Size	FG25/FGA25
Material	Polyethylene
Filter pore size	120 $\mu$ m

### Contact to Schmalz

J. Schmalz GmbH | Johannes-Schmalz-Straße, 72293 Glatten, Deutschland | +49 7443 2403-102 | [customercenter@schmalz.de](mailto:customercenter@schmalz.de)



Attribute	Value
Weight	0.2 g

---

---