

Sealing profile

DI-PROF 11x23 MOS CR-20 DL

Part no.: 10.07.04.00015

<https://www.schmalz.com/10.07.04.00015>



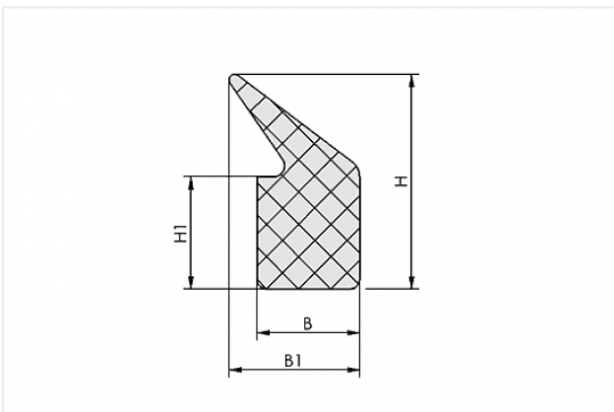
Homepage > Vacuum Technology for Automation > Vacuum Components > Vacuum Suction Cups > Sealing Profiles > Sealing Profiles DI-PROF > DI-PROF 11x23 MOS CR-20 DL

Sealing section for construction of specific gripper solutions



Width B: 11 mm
Height H: 23 mm
Material-Type: Foam rubber
Sealing material: Chloroprene CR
Material hardness: 20 °Sh
Shape: with sealing lip

Design Data



Attribute	Value
-----------	-------

B	11 mm
---	-------

B1	14 mm
----	-------

H	23 mm
---	-------

H1	12 mm
----	-------

Technical Data

Attribute	Value
-----------	-------

Section radius (min)	20 mm
----------------------	-------

Contact to Schmalz

J. Schmalz GmbH | Johannes-Schmalz-Straße, 72293 Glatten, Deutschland | +49 7443 2403-102 | customercenter@schmalz.de

