

Sealing profile

DI-PROF 8x14 MOS NK-20 DL

<https://www.schmalz.com/10.07.04.00012>



Part no.: 10.07.04.00012

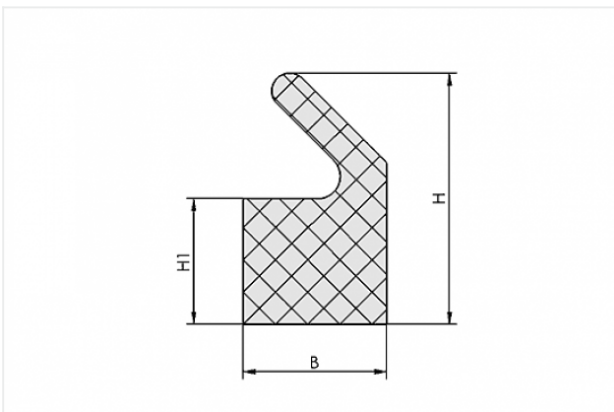
Homepage > Vacuum Technology for Automation > Vacuum Components > Vacuum Suction Cups > Sealing Profiles > Sealing Profiles DI-PROF > DI-PROF 8x14 MOS NK-20 DL

Sealing section for construction of specific gripper solutions



Width B: 8 mm
Height H: 14 mm
Material-Type: Foam rubber
Sealing material: Natural Rubber NK
Material hardness: 20 °Sh
Shape: with sealing lip

Design Data



| Attribute | Value |
|-----------|-------|
|-----------|-------|

| | |
|---|------|
| B | 8 mm |
|---|------|

| | |
|---|-------|
| H | 14 mm |
|---|-------|

| | |
|----|------|
| H1 | 7 mm |
|----|------|

Technical Data

| Attribute | Value |
|-----------|-------|
|-----------|-------|

| | |
|----------------------|-------|
| Section radius (min) | 20 mm |
|----------------------|-------|

Contact to Schmalz

J. Schmalz GmbH | Johannes-Schmalz-Straße, 72293 Glatten, Deutschland | +49 7443 2403-102 | customercenter@schmalz.de

