

Sealing profile

DI-PROF 9x9.7 2K-MOS
CR-20/60

Part no.: 10.01.01.10527

<https://www.schmalz.com/10.01.01.10527>



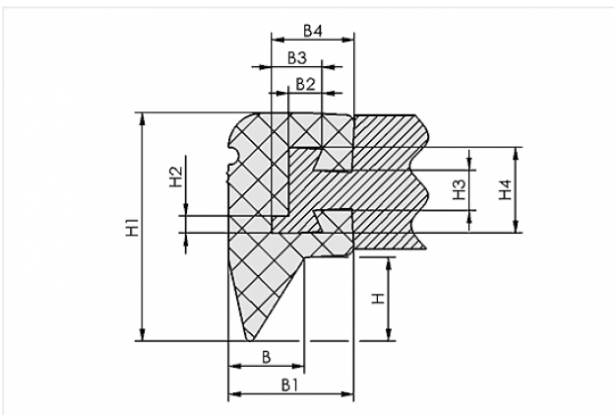
Homepage > Vacuum Technology for Automation > Vacuum Components > Vacuum Suction Cups > Sealing Profiles > Sealing Profiles DI-PROF > DI-PROF 9x9.7 2K-MOS CR-20/60

Sealing section for construction of specific gripper solutions



Width B: 9 mm
Height H: 9.7 mm
Material-Type: 2 Comp. foam rubber
Sealing material: Chloroprene CR
Material hardness: 20 °Sh
Supporting material: Chloroprene CR
Material hardness2: 60 °Sh

Design Data



Attribute	Value
-----------	-------

B	9 mm
B1	14.5 mm
B2	3.9 mm
B3	5.9 mm
B4	9.6 mm
H	9.7 mm
H1	26.5 mm
H2	2 mm
H3	4.7 mm
H4	10 mm

Contact to Schmalz

J. Schmalz GmbH | Johannes-Schmalz-Straße, 72293 Glatten, Deutschland | +49 7443 2403-102 | customercenter@schmalz.de



Technical Data

Attribute	Value
Section radius (min)	85 mm

Contact to Schmalz

J. Schmalz GmbH | Johannes-Schmalz-Straße, 72293 Glatten, Deutschland | +49 7443 2403-102 | customercenter@schmalz.de