

## Sealing profile

DI-PROF 5.5x8 2K-MOS  
CR-20/60

Part no.: 10.01.01.10554

<https://www.schmalz.com/10.01.01.10554>



Homepage > Vacuum Technology for Automation > Vacuum Components > Vacuum Suction Cups > Sealing Profiles > Sealing Profiles DI-PROF >

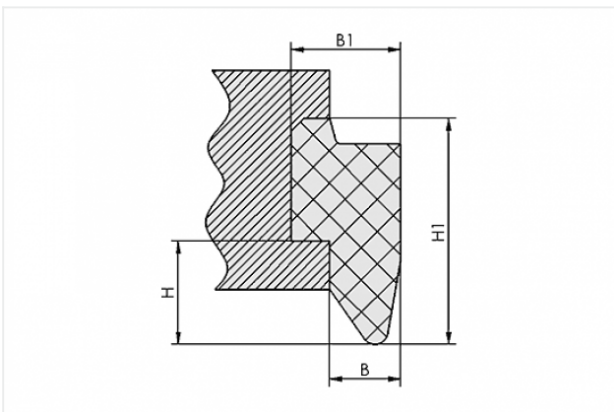
DI-PROF 5.5x8 2K-MOS CR-20/60

### Sealing section for construction of specific gripper solutions



Width B: 5.5 mm  
Height H: 8 mm  
Material-Type: 2 Comp. foam rubber  
Sealing material: Chloroprene CR  
Material hardness: 20 °Sh  
Supporting material: Chloroprene CR  
Material hardness2: 60 °Sh

### Design Data



Attribute	Value
B	5.5 mm
B1	8.5 mm
H	8 mm
H1	17.5 mm

### Technical Data

Attribute	Value
Section radius (min)	65 mm

### Contact to Schmalz

J. Schmalz GmbH | Johannes-Schmalz-Straße, 72293 Glatten, Deutschland | +49 7443 2403-102 | [customercenter@schmalz.de](mailto:customercenter@schmalz.de)



---

### Contact to Schmalz

J. Schmalz GmbH | Johannes-Schmalz-Straße, 72293 Glatten, Deutschland | +49 7443 2403-102 |  
customercenter@schmalz.de