

Sealing cord

DI-SCHN 10 MOS EPDM-20

<https://www.schmalz.com/10.07.04.00003>



Part no.: 10.07.04.00003

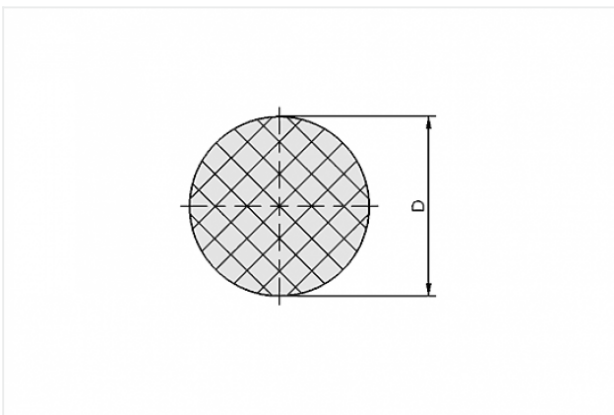
Homepage > Vacuum Technology for Automation > Vacuum Components > Vacuum Suction Cups > Sealing Profiles > Sealing Cords DI-SCHN > DI-SCHN 10 MOS EPDM-20

Sealing cord



External diameter D: 10 mm
Material-Type: Foam rubber
Sealing material: EPDM
Material hardness: 20 °Sh

Design Data



Attribute	Value
-----------	-------

D	10 mm
---	-------

Technical Data

Attribute	Value
for slot	10 x 7

Contact to Schmalz

J. Schmalz GmbH | Johannes-Schmalz-Straße, 72293 Glatten, Deutschland | +49 7443 2403-102 | customercenter@schmalz.de

